

**VIPER**

**SHOVELNOSE**

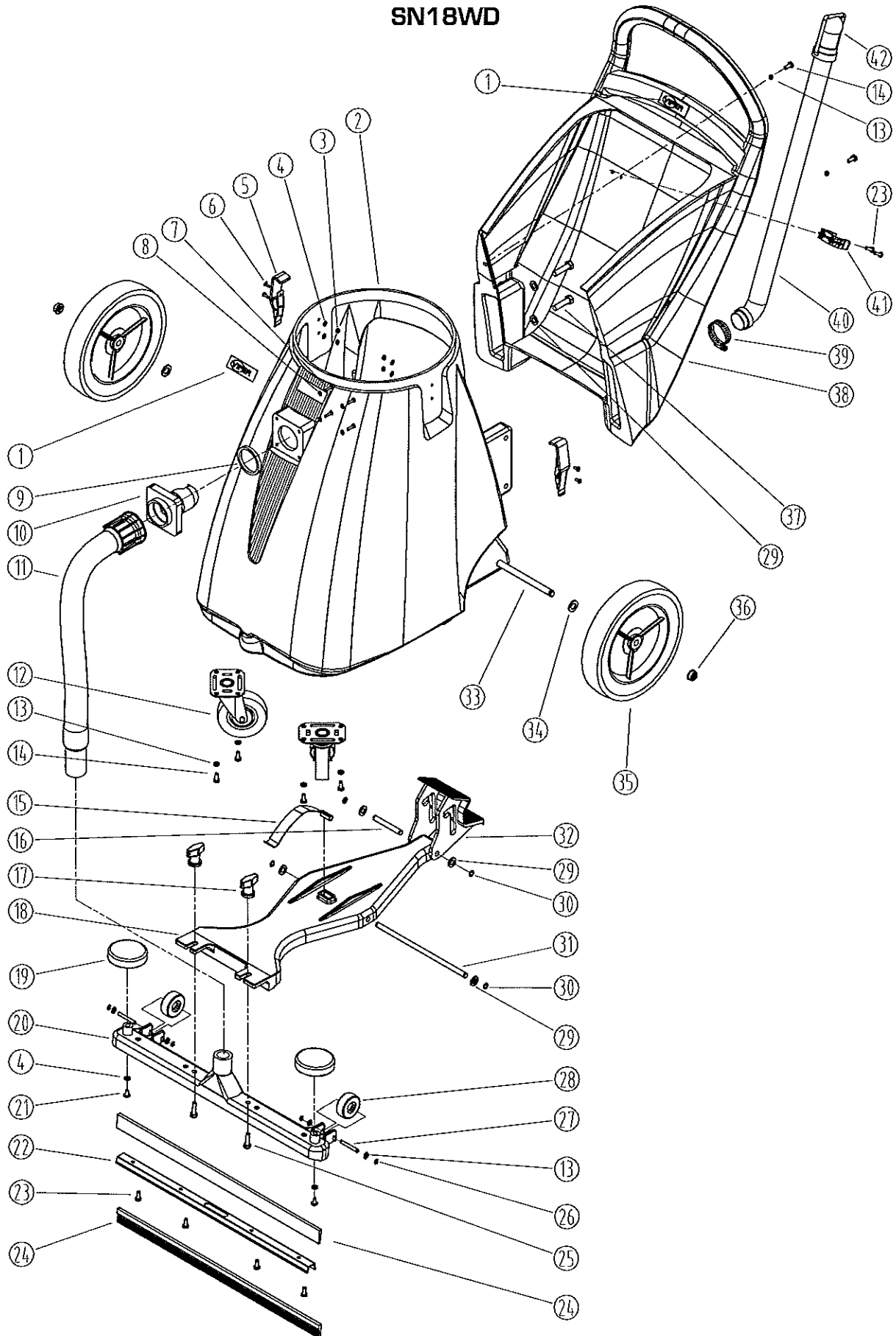
**SN18WD**

**WET/DRY VACUUM**

**\*\*\*PLEASE MAKE SURE YOUR SERIAL NUMBER MATCHES TO ENSURE  
CORRECT PARTS ARE BEING ORDERED\*\*\***

PARTS LIST

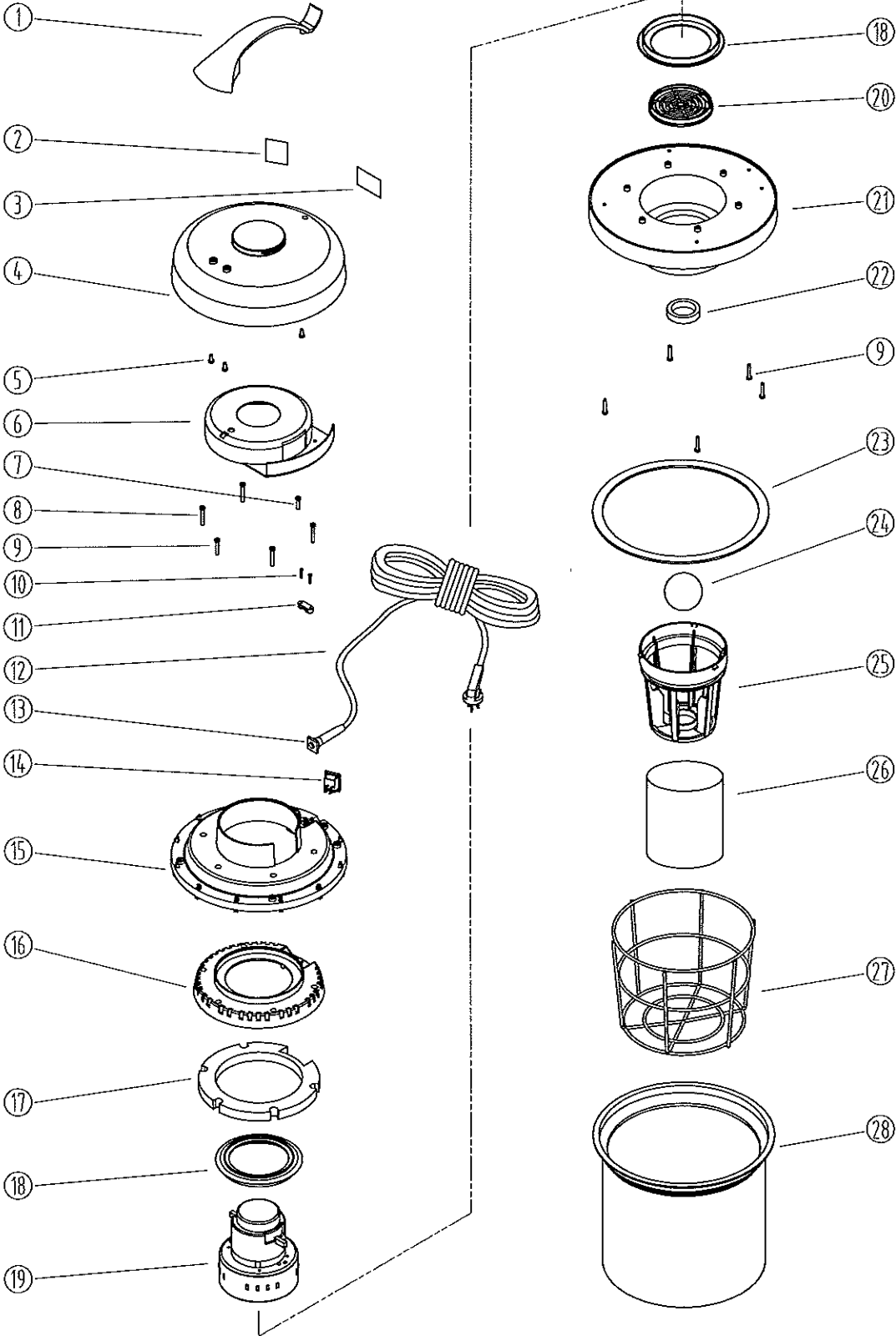
SN18WD



## TANK ASSEMBLY - SN18WD - LIST PRICE

DIA NO	PART NUMBER	DESCRIPTION	NO REQ'D
1	VF47035A	LOGO, "VIPER"	2
2	VA75001	TANK	1
3	GT13022	NUT, M5, NYLON INSERT	4
4	VF13474A	WASHER	6
5	VA93468	CATCH (METAL)	2
6	VA14010	SCREW, M5 x 20	4
7	VA14004	SCREW, SELF-TAPPING, M4 x 20	4
8	VA13483	WASHER	4
9	VA21514	GASKET	1
10	VA21513A	INTAKE	1
11	VA85018	HOSE ASSEMBLY	1
12	VA91342	CASTER, 4"	2
13	VF13600	WASHER	10
14	VF13495	SCREW, M6 x 16	6
15	VA75005	LEAF SPRING	1
16	VA75013	AXLE	1
17	VA85003	KNOB	2
18	VA75006	MOUNTING PLATE, PICK-UP TOOL	1
19	VA75007	BUMPER	2
20	VA85002	BODY, PICK-UP TOOL, 24"	1
	VA75008	BODY, PICK-UP TOOL, 30"	1
21	VA13471	SCREW, SELF-TAPPING, ST, M5 x 10	2
22	VA85001	CLAMP, BLADE, 24"	1
	VA75009	CLAMP, BLADE, 30"	1
23	VV20501	SCREW, PH, M5 x 14	6
24	VA75021	BLADE, 24" (BLUE)	2
	VA75010	BLADE, 30"	2
25	VA13491	SCREW, M8 x 25	2
26	VA85005	LOCK	4
27	VA85004	AXLE, WHEEL	2
28	VA91345-8	WHEEL, 2"	2
29	VF13516	WASHER	8
30	VA14001	LOCK	4
31	VA75011	AXLE, MOUNTING PLATE	1
32	VA75012	PEDAL	1
33	VA75003	AXLE, PEDAL	1
34	VV60113S	WASHER	2
35	VA75004	10" WHEEL	2
36	VV10011	CAP, AXLE, WHEEL	2
37	VA14002	SCREW, M10 x 50	6
38	VA75002	HANDLE	1
39	VV10113	CLAMP 2"	1
40	VA93208A	DRAIN HOSE	1
41	GV70034	CLAMP, DRAIN HOSE	1
42	VA20104A	PLUG, DRAIN HOSE	1

PARTS LIST

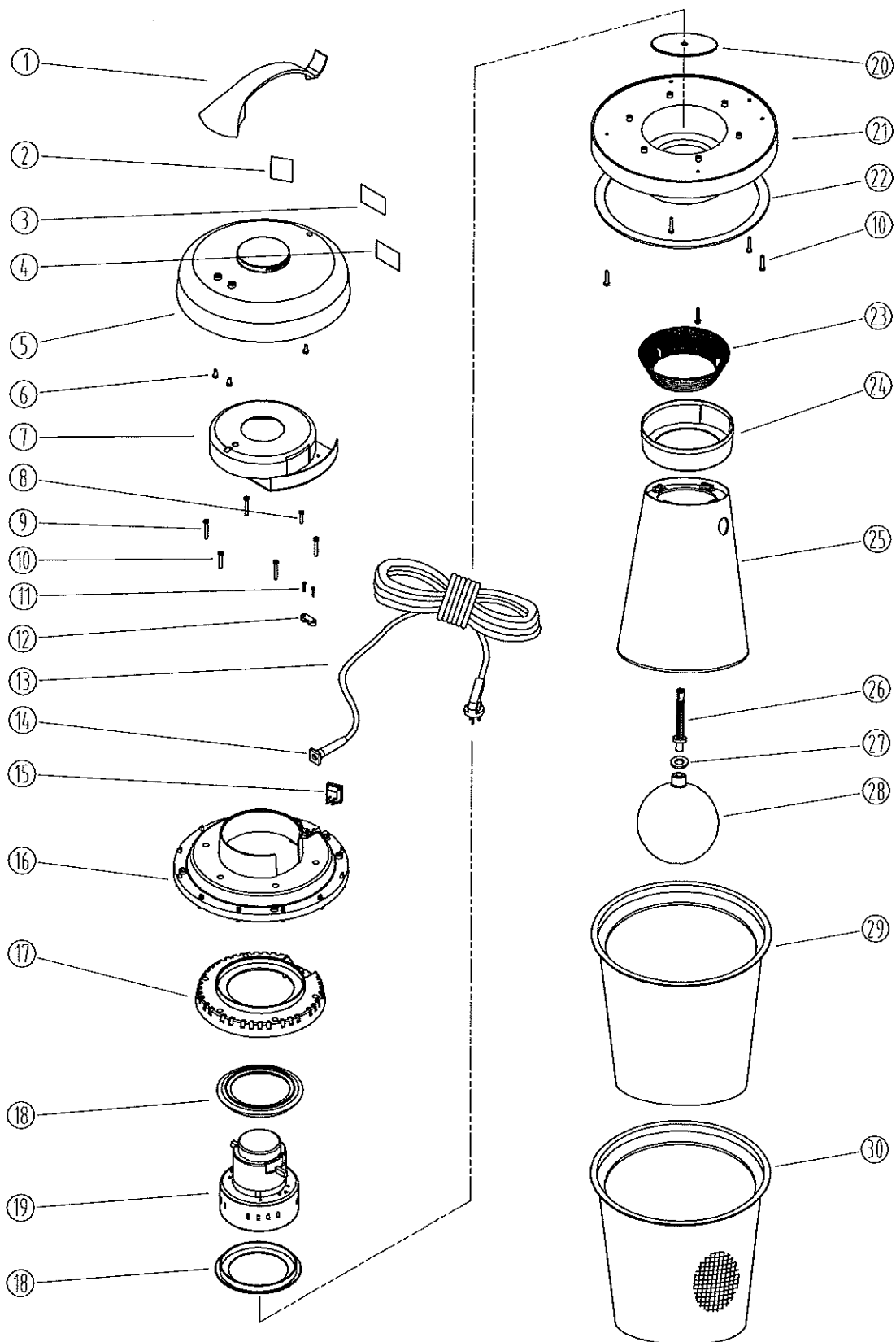


**SN18WD - ORIGINAL VAC HEAD ASSEMBLY (Up to #1906)**

<b>DIA NO</b>	<b>PART NUMBER</b>	<b>DESCRIPTION</b>
1	GT10004	HANDLE
2	VF40994	LABEL, READ MANUAL
3	VA21544A	SERIAL TAG
4	GT10003B	COVER, VAC HEAD
5	GT13001	SCREW, PH, ST M5 x 12
6	GT10019	UPPER COVER, MOTOR
7	GT13004	SCREW, PH, ST, M5 x 20
8	GT13034	SCREW, PH, ST, M5 x 50
9	GT13033	SCREW, PH, ST, M5 x 44
10	VA13470	SCREW, PH, ST M3 x 16
11	VA21517	CLAMP, BLOCK
12	VA65001	CABLE, POWER
13	VA21521	GROMMET, POWER CORD
14	VA91346	ON/OFF SWITCH
15	GV15002	MOUNTING COVER, MOTOR
16	FC25002A	MOUNTING PLATE, MOTOR
17	FC25011	SCREEN, MOUNTING PLATE
18	VA41032	GASKET, MOTOR
19	ZD49000A	VAC MOTOR, 115V
20	VA22505	FILTER FRAME
21	GV15004A	MOUNTING BASE, MOTOR
22	VA22508	GASKET, BALL FLOAT
23	GV15006	GASKET, MOUNTING BASE
24	VA22509	BALL, FLOAT
25	GV15007	FRAME, BALL
26	GV15019A	FILTER, BALL FLOAT
27	GV15018	FRAME, VACUUM FILTER
28	GV0014	VACUUM FILTER ASSY

*	VA00075A	COMPLETE VACUUM HEAD ASSEMBLY
---	----------	-------------------------------

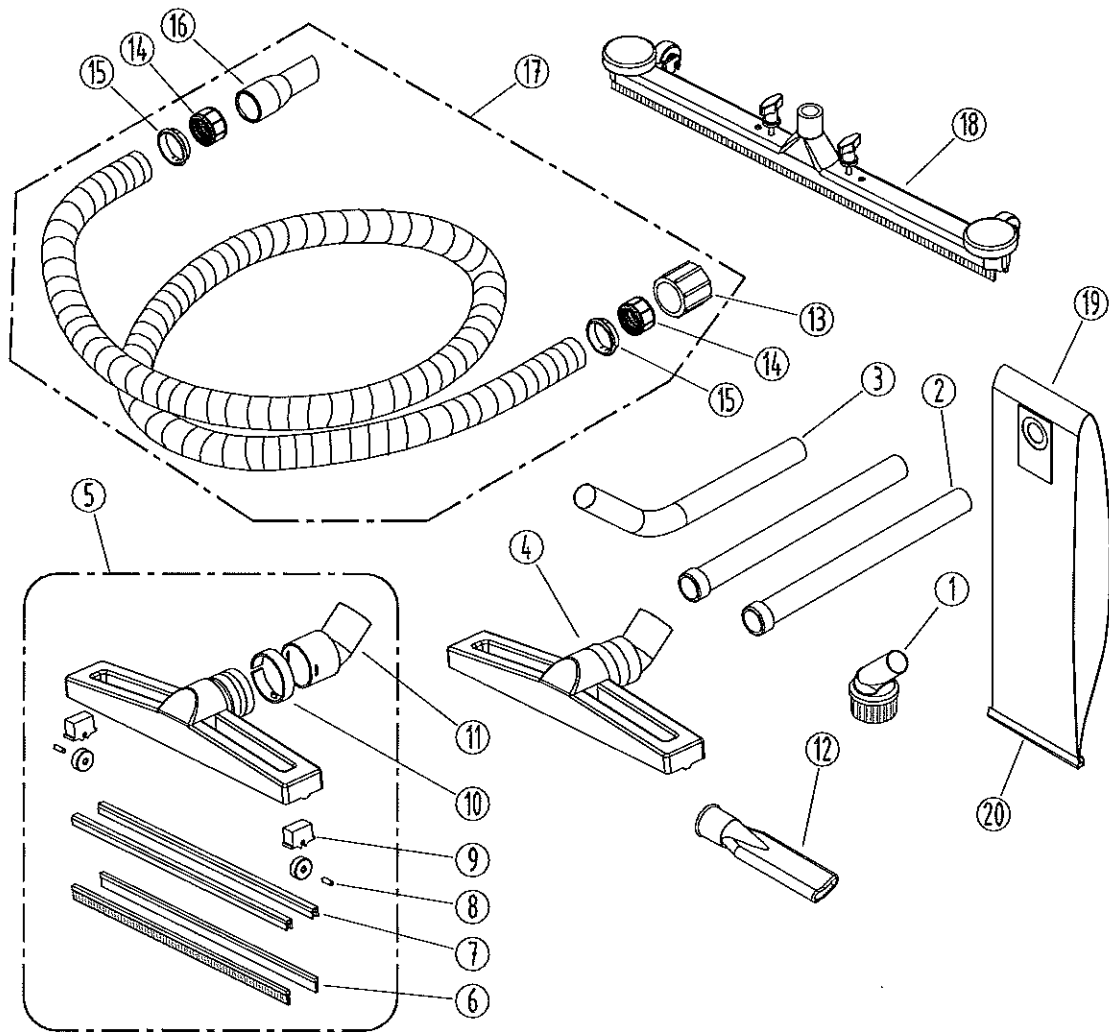
SN18WD



## VACUUM HEAD ASSEMBLY - SN18WD (SERIAL #1907+)

DIA NO	PART NUMBER	DESCRIPTION	NO REQ'D
1	GT10004	HANDLE	1
2	VF40994	LABEL, READ MANUAL	1
3	VA21544A	SERIAL TAG	1
4	VA20453	DECAL, WARING	1
5	GT10003B	COVER, VAC HEAD	1
6	GT13001	SCREW, ST, PH, M5 x 12	3
7	GT10019	UPPER COVER, MOTOR	1
8	GT13004	SCREW, ST, PH, M5 x 20	1
9	GT13034	SCREW, ST, PH, M5 x 50	4
10	GT13033	SCREW, ST, PH, M5 x 44	6
11	VA13470	SCREW, ST, PH, M3 x 16	2
12	VA21517	CLAMP, BLOCK	1
13	VA65001	CABLE, POWER	1
14	VA21521	GROMMET, POWER CORD	1
15	VA91346	SWITCH, POWER	1
16	GV15002	MOUNTING COVER, MOTOR	1
17	FC25002A	MOUNTING PLATE, MOTOR	1
18	VA41032	GASKET, MOTOR	2
19	ZD49000A	VAC MOTOR, 115V	1
20	GV25002	SEAL PLATE	1
21	GV15004A	MOUNTING BASE, MOTOR	1
22	GV15006	GASKET, MOUNTING PLATE	1
23	GV25010	FILTER SCREEN	1
24	GV25013	WATER GUARD	1
25	GV25006	TRUMPET	1
26	GV25003	POLE, BALL	1
27	VF14090	"O" RING	1
28	GV25009	BALL	1
29	GV0014	VACUUM FILTER ASSY	1
30	GV25014	BUBBLE BUSTER	1
	VA00075A	COMPLETE VACUUM HEAD ASSEMBLY	1

# ACCESSORIES



## ACCESSORIES - SN18WD - LIST PRICE

DIA NO	PART NUMBER	DESCRIPTION	NO REQ'D
1	VA20803	DUSTING TOOL	1
2	VA20248	TUBE	2
3	VA20209	WAND	1
4	GV0040-D	DRY PICK-UP TOOL	1
5	GV0040-W	WET PICK-UP TOOL	1
6	VA20207-8	SQUEEGEE BLADE, WET PICK-UP TOOL	2
7	VA20207-5A	SEAT, BLADE, 400mm	1
8	VA20413	PIN, WHEEL	2
9	VA20207-4	SEAT, WHEEL	2
10	VA20207-3	CLIP, FLOOR TOOL ADAPTER	1
11	VA20207-2	FLOOR TOOL ADAPTER(38mm)	1
12	VA20806	CREVICE TOOL	1
13	VA20201	HOSE END, SWIVEL, MACHINE SIDE	1
14	VA20202	INSERT, HOSE CUFF	2
15	VA20203	CLIP RING	2
16	VA20206	ANGLED HOSE END, TOOL SIDE	1
17	VA20288	HOSE ASSY	1
18	VA00001	24" FRONT MOUNT SQUEEGEE ASSY	1
	VA85007	BLADES, REPLACEMENT, 24-INCH	2
	VA00002	30" FRONT MOUNT SQUEEGEE (OPTIONAL) ASSY	1
	VA75010	BLADES, REPLACEMENT, 30-INCH	2
	VA00005	24" DRY PICK-UP TOOL ASSY(OPTIONAL)	1
19	VA75020	CLOTH BAG (OPTIONAL)	1
20	VA75020-1	RETAINING CLIP, CLOTH BAG (OPTIONAL)	1