



PARTS BREAKDOWN INVERTER GENERATOR

MODEL:BE7500iD



BEPOWEREQUIPMENT

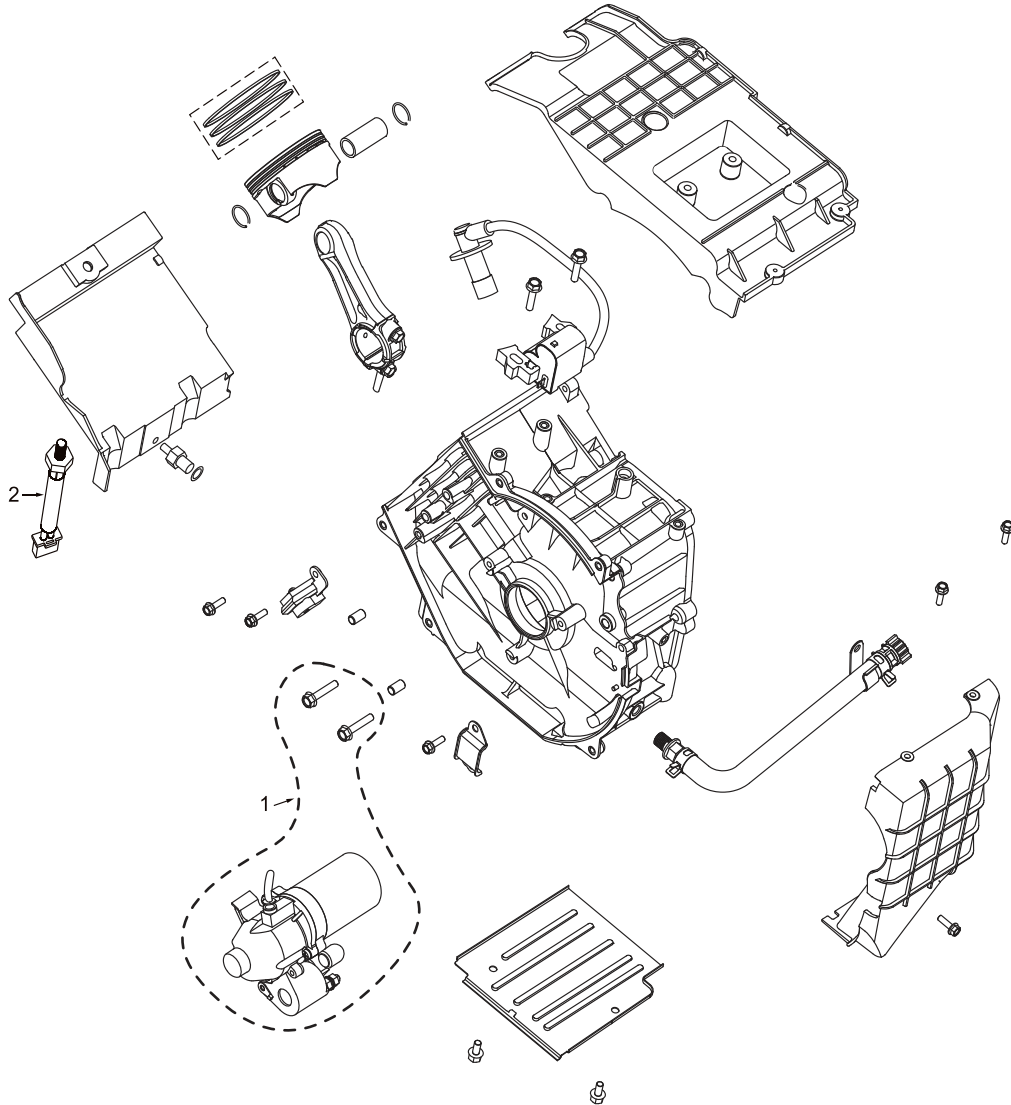
.COM



PARTS BREAKDOWN INVERTER GENERATOR

MODEL:BE7500iD

CRANKCASE



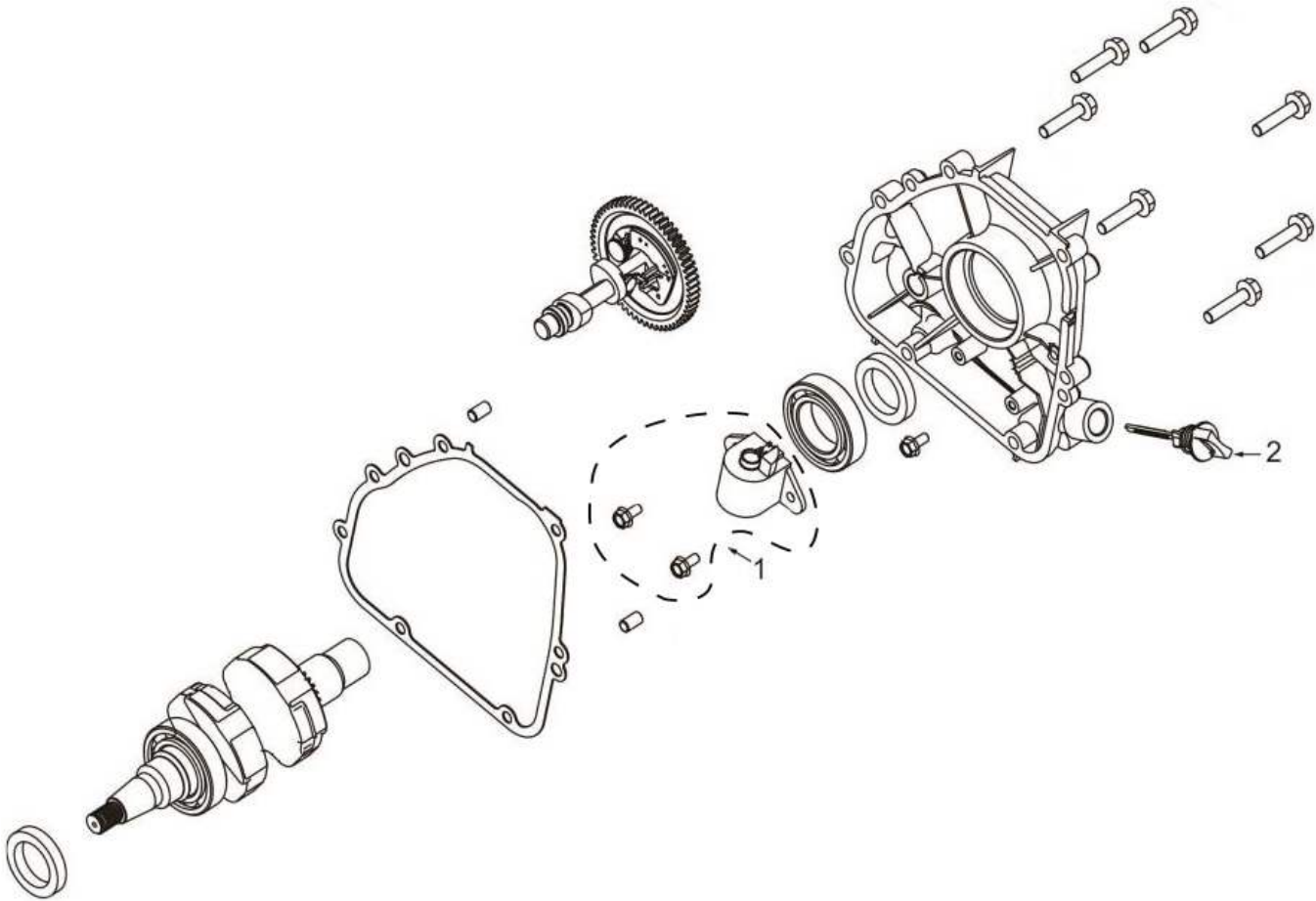
| REF # | DESCRIPTION | QTY | BE PART # |
|-------|------------------------|-----|------------|
| 1 | STARTING MOTOR W/BOLTS | 2 | 85.561.052 |
| 2 | TEMPERATURE SENSOR | 1 | 85.561.030 |



PARTS BREAKDOWN INVERTER GENERATOR

MODEL:BE7500iD

CRANKCASE COVER



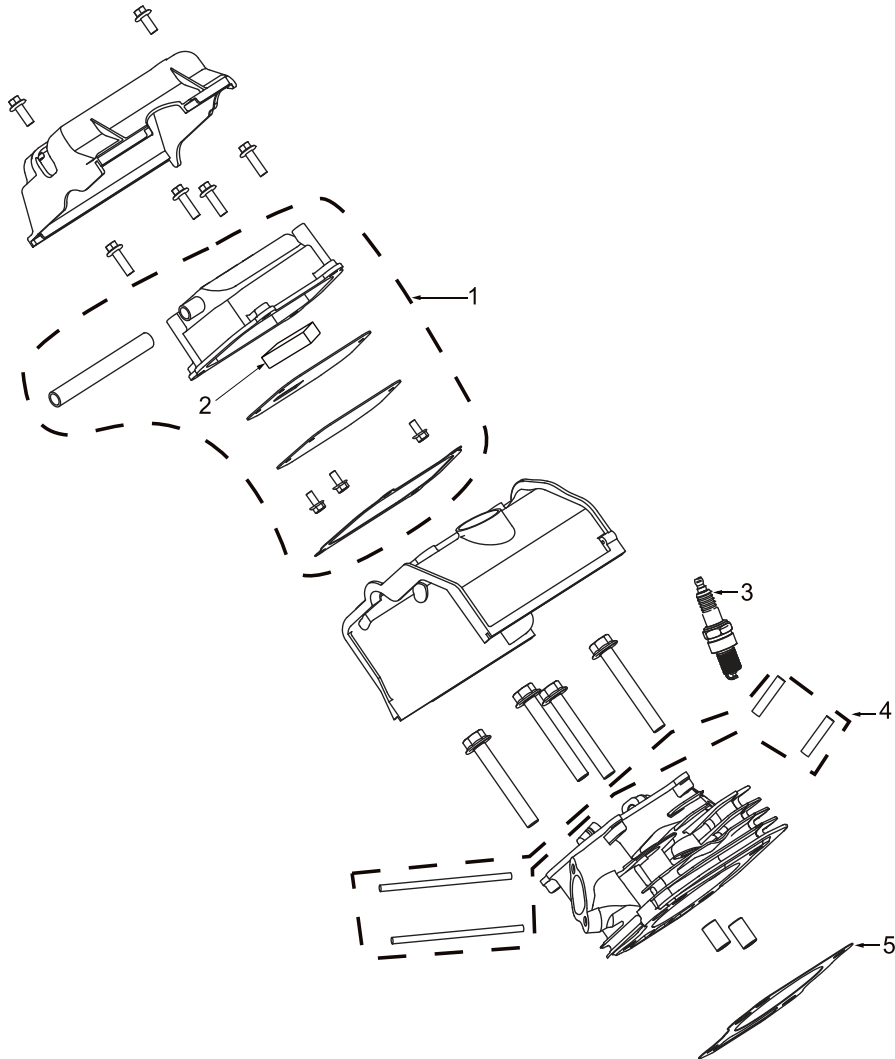
| REF # | DESCRIPTION | QTY | BE PART # |
|-------|-------------------|-----|------------|
| 1 | LOW OIL SENSOR | 1 | 85.561.092 |
| 2 | MAGNETIC DIPSTICK | 1 | 85.561.017 |



PARTS BREAKDOWN INVERTER GENERATOR

MODEL:BE7500iD

CYLINDER HEAD PARTS



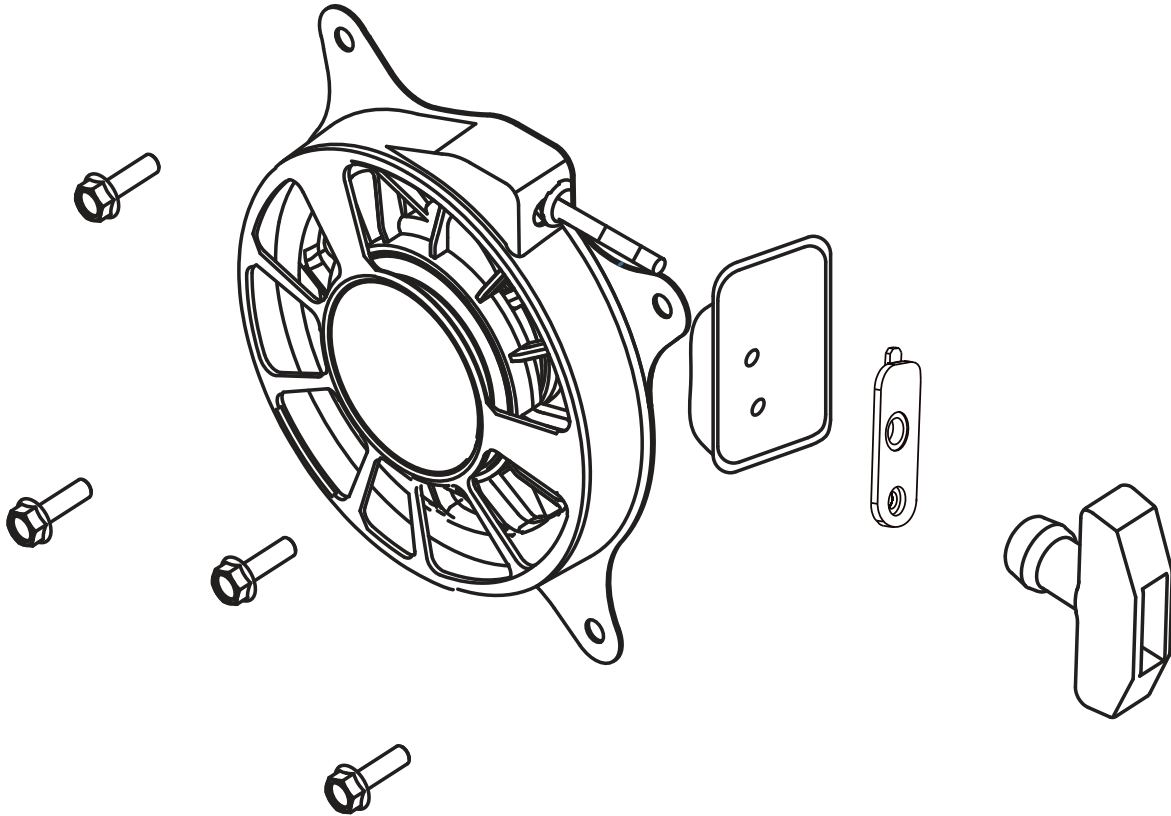
| REF # | DESCRIPTION | QTY | BE PART # |
|-------|------------------------------|-----|------------|
| 1 | CYLINDER HEAD COVER ASSEMBLY | 1 | 85.561.114 |
| 2 | OIL CONDENSER | 1 | 85.561.118 |
| 3 | SPARK PLUG | 1 | 85.561.115 |
| 4 | INTAKE/EXHAUST STUD SET | 2+2 | 85.561.116 |
| 5 | CYLINDER HEAD GASKET | 1 | 85.561.117 |



PARTS BREAKDOWN INVERTER GENERATOR

MODEL:BE7500iD

ENGINE STARTER



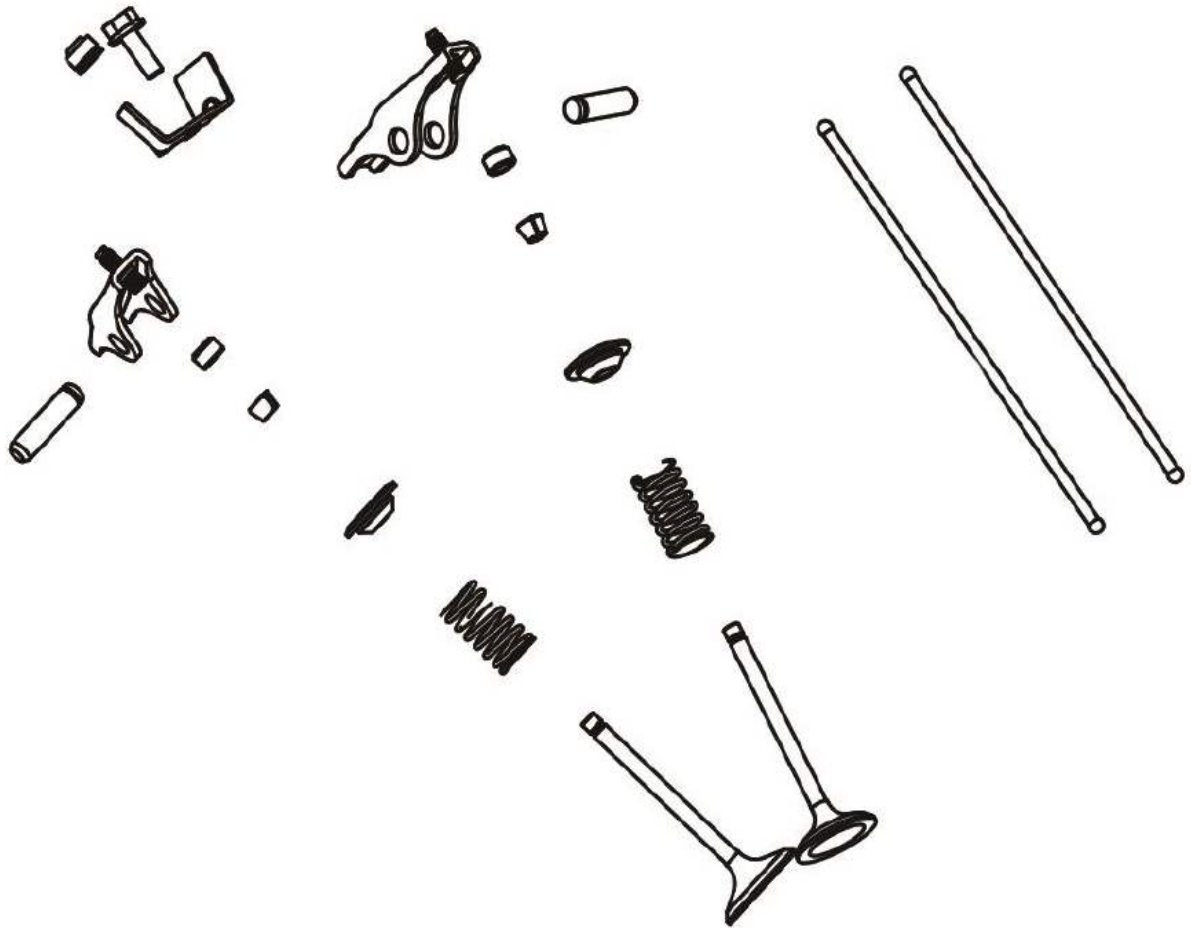
| REF # | DESCRIPTION | QTY | BE PART # |
|-------|-----------------|-----|------------|
| 1 | RECOIL ASSEMBLY | 1 | 85.561.064 |



PARTS BREAKDOWN INVERTER GENERATOR

MODEL:BE7500iD

VALVE SET



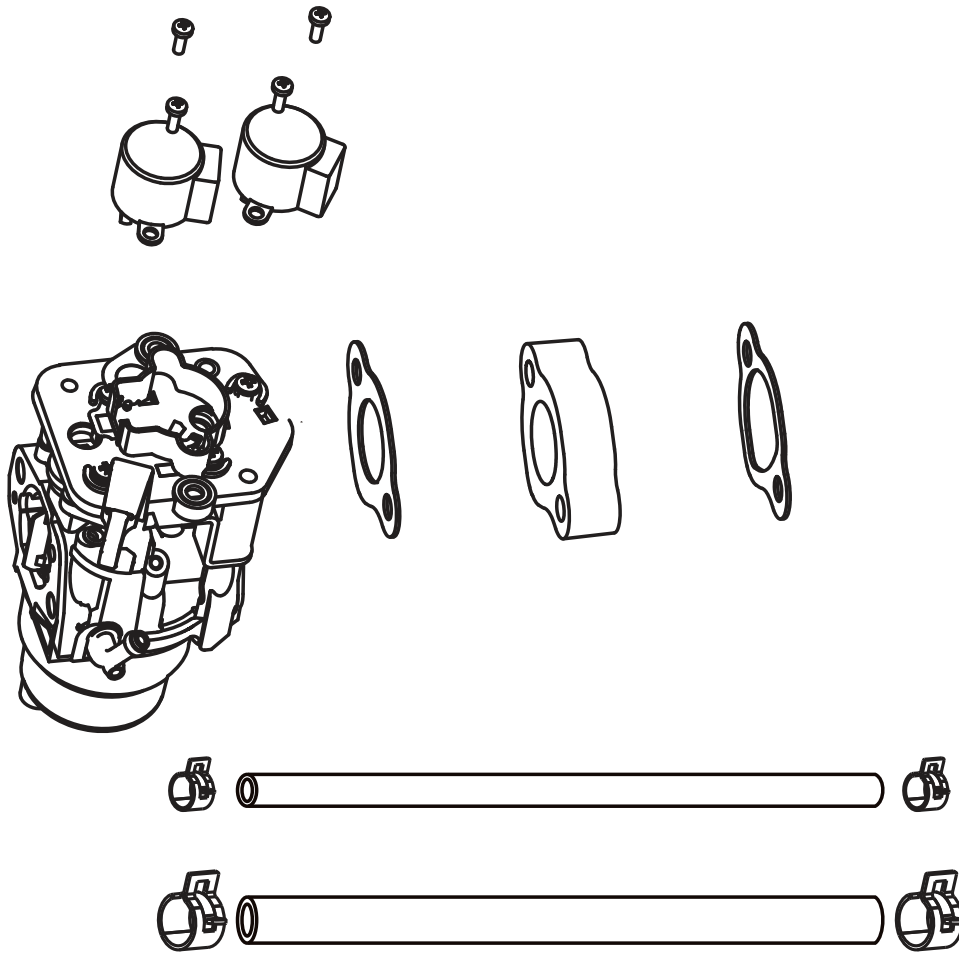
| REF # | DESCRIPTION | QTY | BE PART # |
|-------|-------------|-----|------------|
| 1 | VALVE SET | 1 | 85.561.119 |



PARTS BREAKDOWN INVERTER GENERATOR

MODEL:BE7500iD

CARBURETOR ASSEMBLY



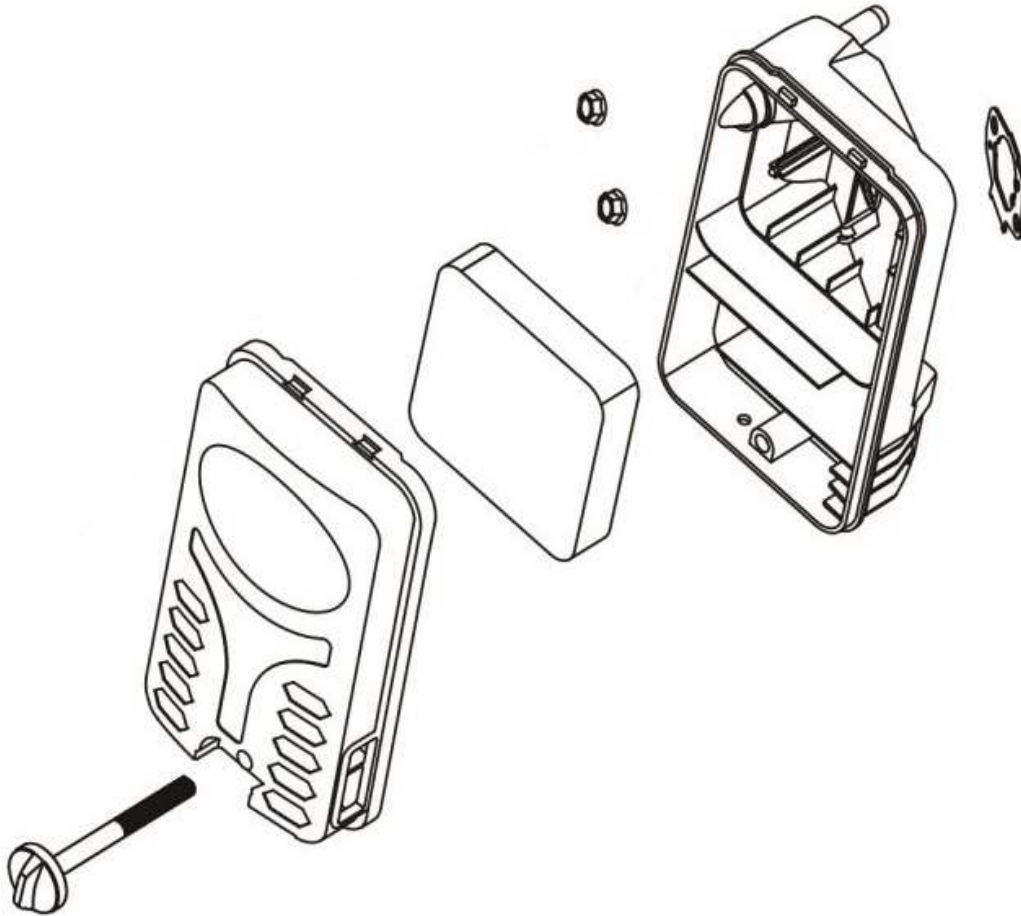
| REF # | DESCRIPTION | QTY | BE PART # |
|-------|---------------------|-----|------------|
| 1 | CARBURETOR ASSEMBLY | 1 | 85.561.065 |



PARTS BREAKDOWN INVERTER GENERATOR

MODEL:BE7500iD

AIR CLEANER



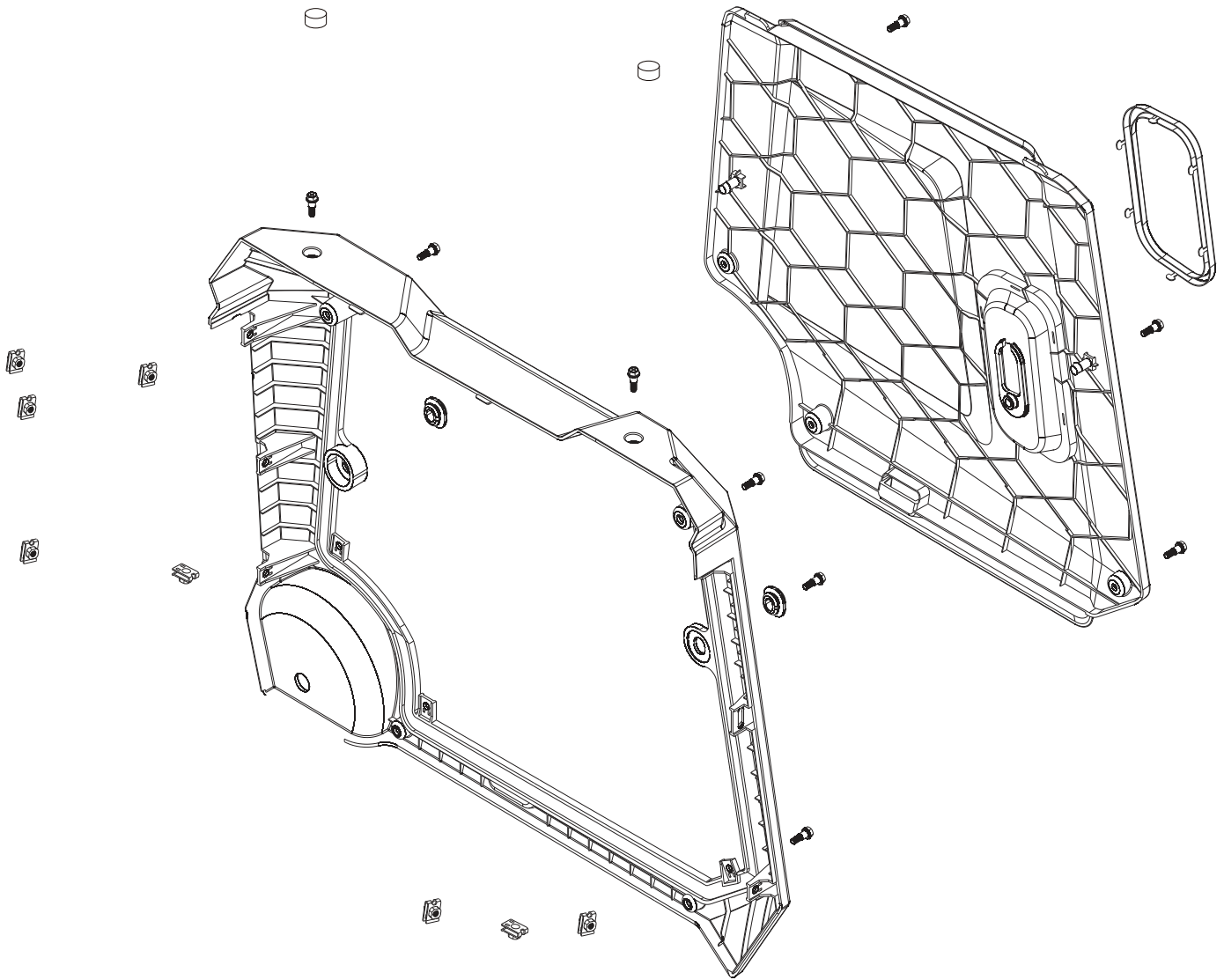
| REF # | DESCRIPTION | QTY | BE PART # |
|-------|----------------------|-----|------------|
| 1 | AIR CLEANER ASSEMBLY | 1 | 85.561.066 |



PARTS BREAKDOWN INVERTER GENERATOR

MODEL:BE7500iD

RIGHT HOUSING



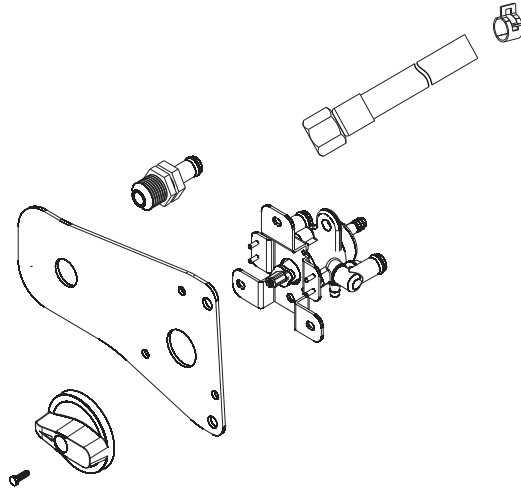
| REF # | DESCRIPTION | QTY | BE PART # |
|-------|----------------------|-----|------------|
| 1 | EXTERIOR RIGHT COVER | 1 | 85.561.120 |



PARTS BREAKDOWN INVERTER GENERATOR

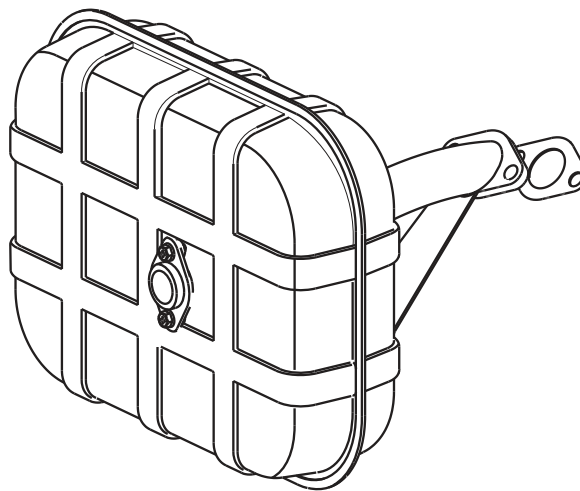
MODEL:BE7500iD

FUEL SELECTOR



| REF # | DESCRIPTION | QTY | BE PART # |
|-------|----------------------|-----|------------|
| 1 | FUEL SELECTOR SWITCH | 1 | 85.561.067 |

MUFFLER PARTS



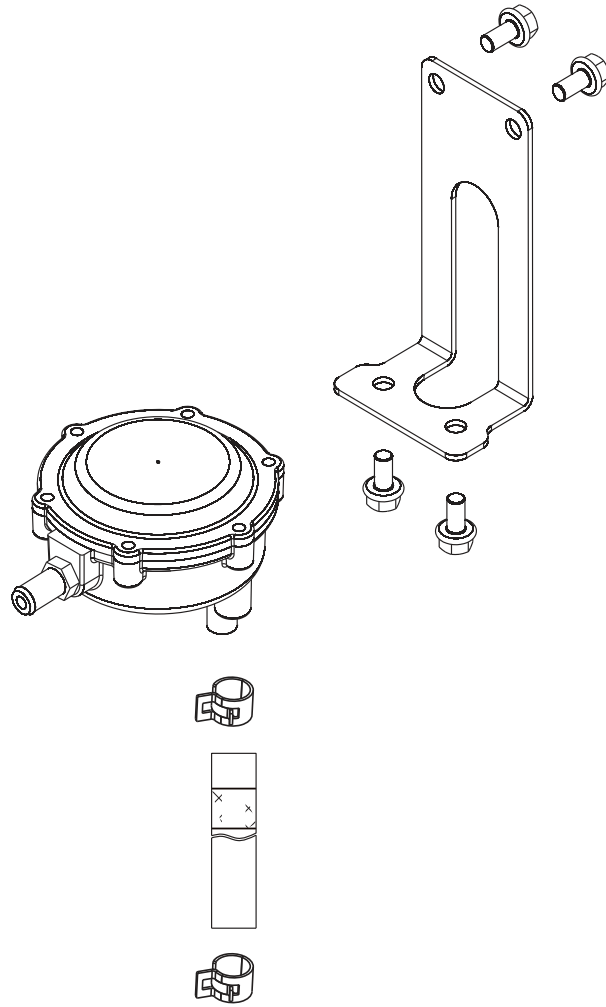
| REF # | DESCRIPTION | QTY | BE PART # |
|-------|------------------|-----|------------|
| 1 | MUFFLER ASSEMBLY | 1 | 85.561.121 |



PARTS BREAKDOWN INVERTER GENERATOR

MODEL:BE7500iD

LPG REGULATOR



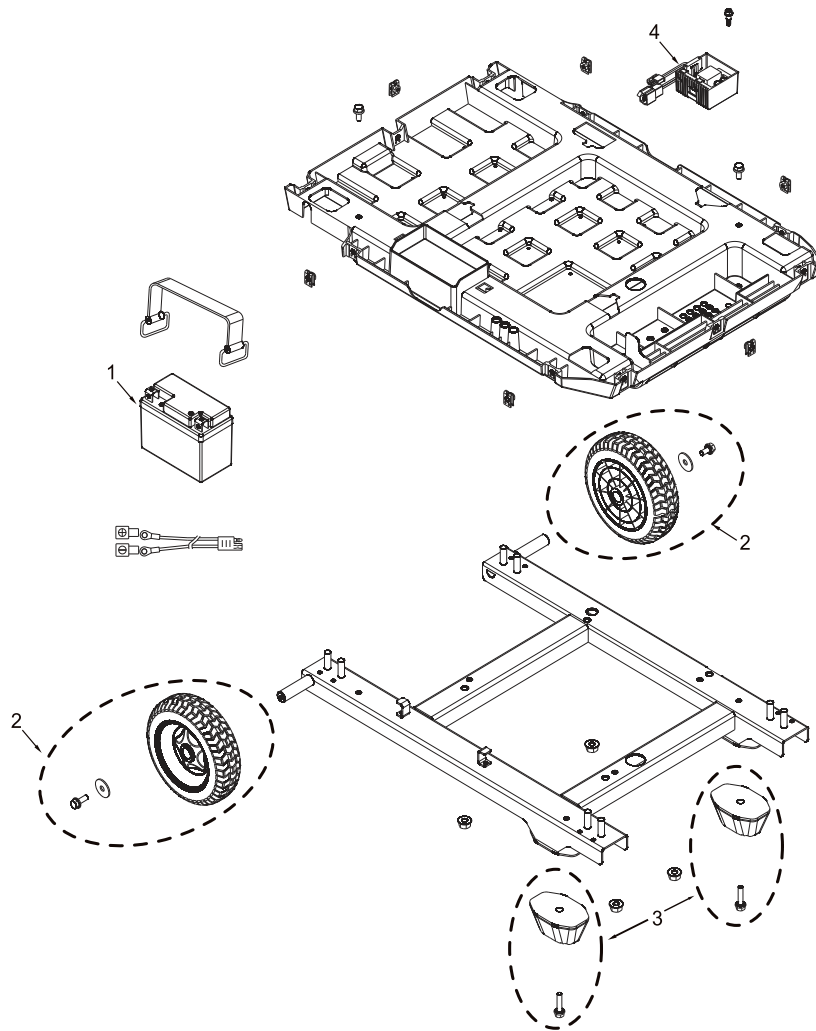
| REF # | DESCRIPTION | QTY | BE PART # |
|-------|-------------------------|-----|------------|
| 1 | PRESSURE REDUCING VALVE | 1 | 85.561.068 |



PARTS BREAKDOWN INVERTER GENERATOR

MODEL:BE7500iD

FLOOR



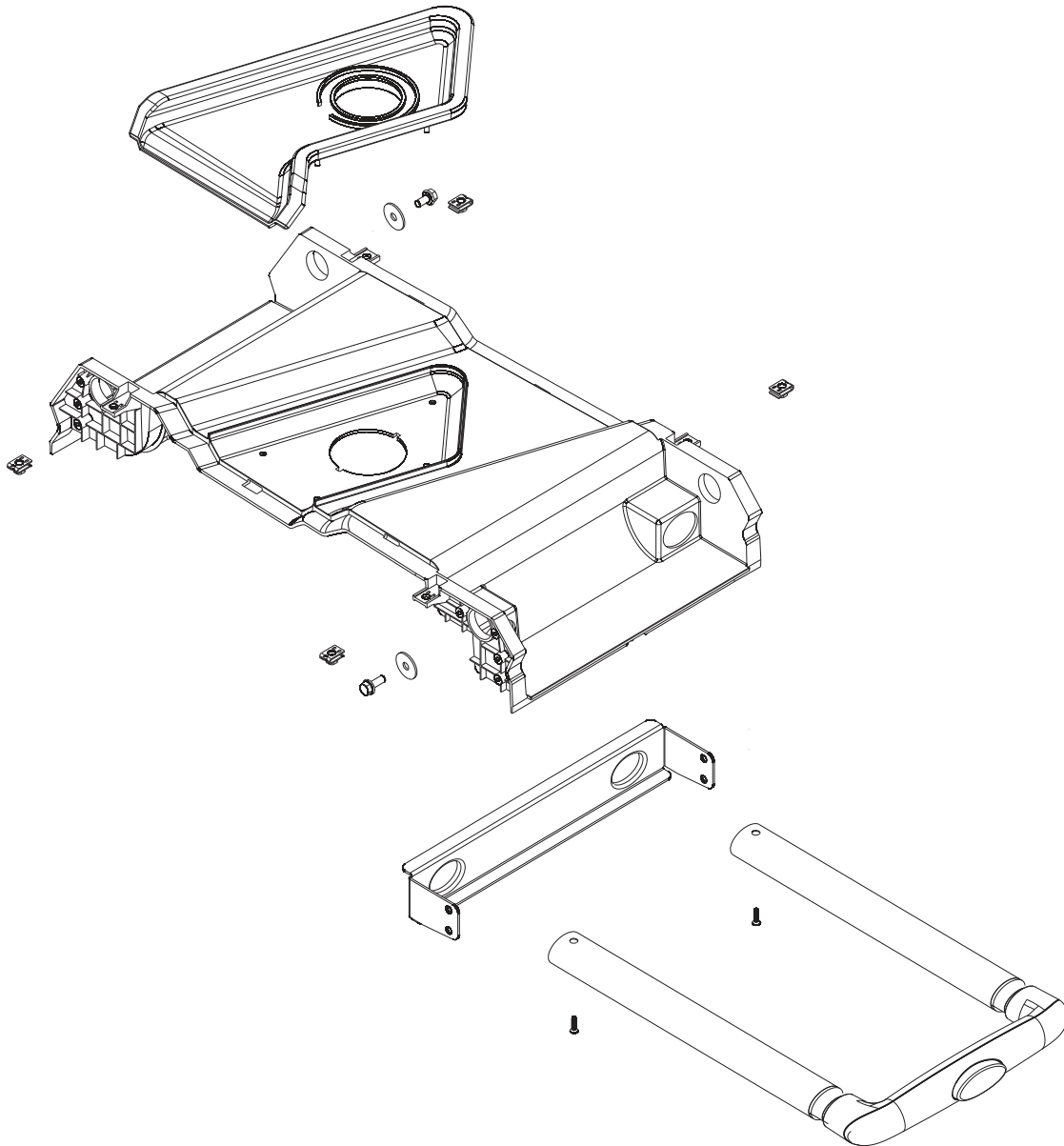
| REF # | DESCRIPTION | QTY | BE PART # |
|-------|------------------------------|-----|------------|
| 1 | LITHIUM BATTERY | 1 | 85.561.072 |
| 2 | WHEEL SET WITH HARDWARE | 1 | 85.561.069 |
| 3 | FOOT SET | 1 | 85.561.122 |
| 4 | VOLTAGE REGULATING RECTIFIER | 1 | 85.561.103 |



PARTS BREAKDOWN INVERTER GENERATOR

MODEL:BE7500iD

PULL ROD/HOUSING



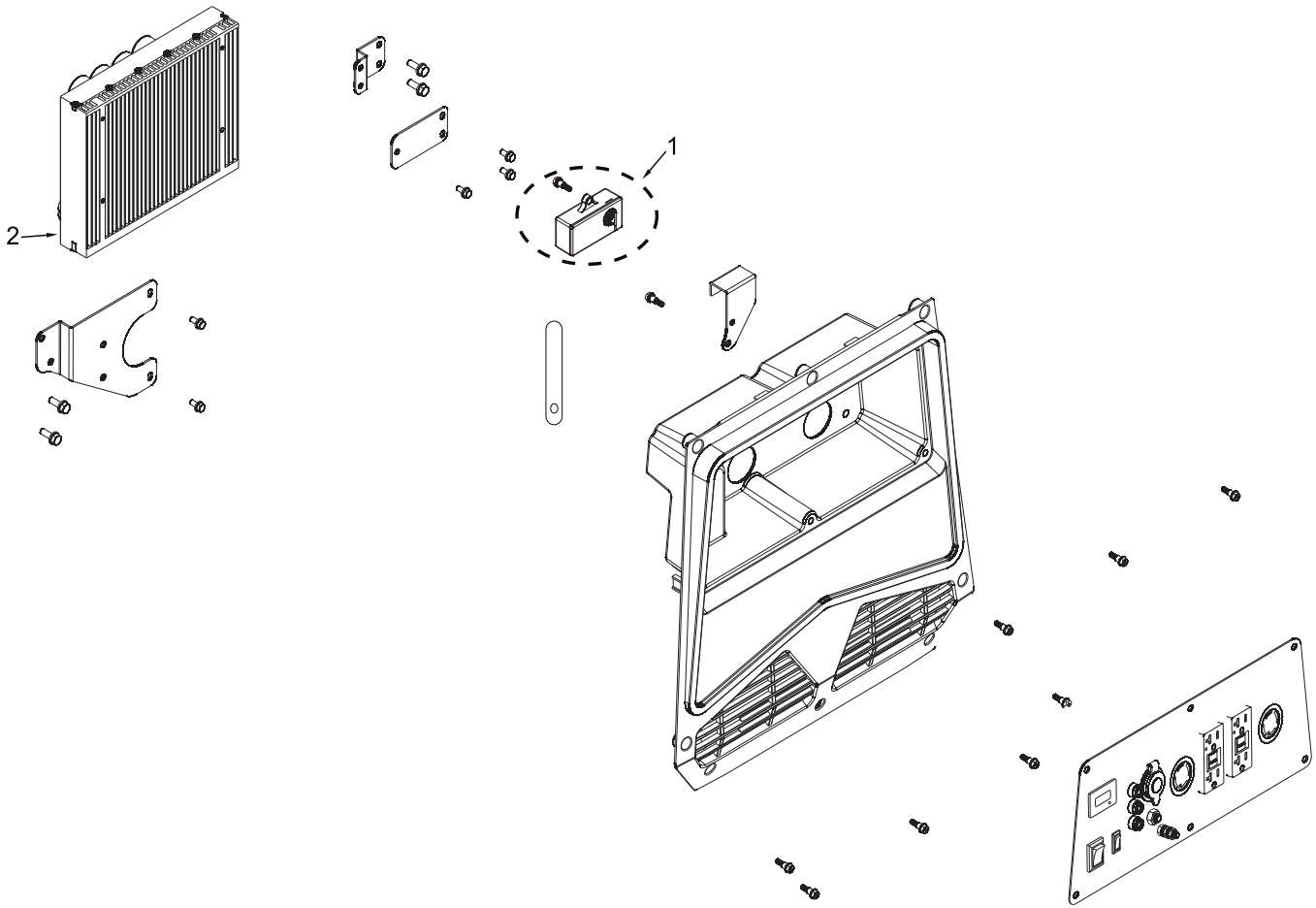
| REF # | DESCRIPTION | QTY | BE PART # |
|-------|----------------------|-----|------------|
| 1 | PULL HANDLE ASSEMBLY | 1 | 85.561.070 |



PARTS BREAKDOWN INVERTER GENERATOR

MODEL:BE7500iD

PANEL



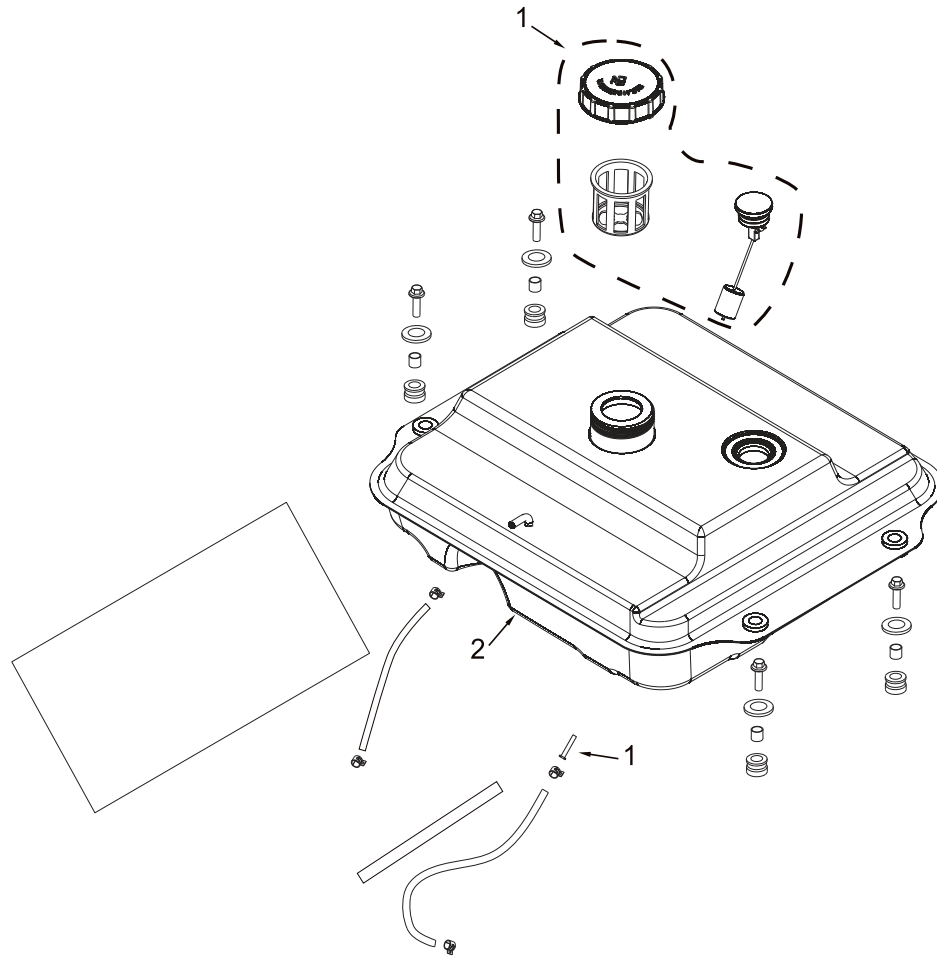
| REF # | DESCRIPTION | QTY | BE PART # |
|-------|-------------|-----|------------|
| 1 | CO ALARM | 1 | 85.561.048 |
| 2 | INVERTER | 1 | 85.561.073 |



PARTS BREAKDOWN INVERTER GENERATOR

MODEL:BE7500iD

FUEL TANK COMPONENTS



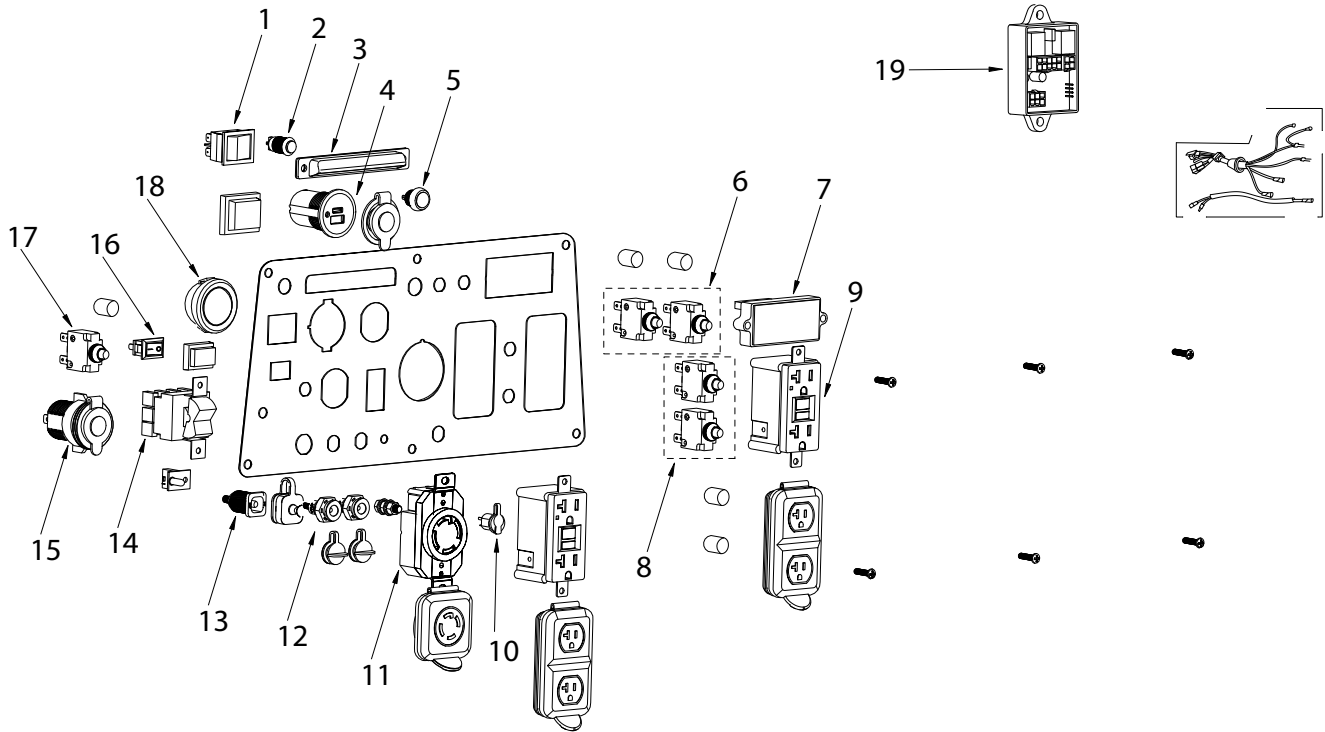
| REF # | DESCRIPTION | QTY | BE PART # |
|-------|---------------------------------|-----|------------|
| 1 | FUEL TANK CAP, FILTERS, & GAUGE | 1 | 85.561.071 |
| 2 | TANK | 1 | 85.561.124 |



PARTS BREAKDOWN INVERTER GENERATOR

MODEL:BE7500iD

CONTROL PANEL



| REF # | DESCRIPTION | QTY | BE PART # |
|-------|---------------------------------------|-----|------------|
| 1 | ENGINE SWITCH | 1 | 85.561.151 |
| 2 | LED SWITCH | 1 | 85.561.136 |
| 3 | LED LIGHT | 1 | 85.561.155 |
| 4 | USB | 1 | 85.561.177 |
| 5 | RESET SWITCH | 1 | 85.561.165 |
| 6 | PROTECTOR 30A | 2 | 85.561.149 |
| 7 | MULTIFUNCTIONAL DIGITAL DISPLAY TABLE | 1 | 85.561.164 |
| 8 | PROTECTOR 20A | 2 | 85.561.141 |
| 9 | AC RECEPTACLE(GFCI) AC125V/20A | 2 | 85.561.146 |
| 10 | BATTERY CHARGER | 1 | 85.561.157 |
| 11 | AC RECEPTACLE AC125V250V/30A | 1 | 85.561.145 |
| 12 | PARALLEL SOCKET | 2 | 85.561.166 |
| 13 | PARALLEL SOCKET 50A | 1 | 85.561.170 |
| 14 | VOLTAGE SELECTOR SWITCH | 1 | 85.561.143 |
| 15 | DC12V | 1 | 85.561.148 |
| 16 | IDLE SWITCH | 1 | 85.561.153 |
| 17 | DC THERMAL PROTECTION 8A | 1 | 85.561.147 |
| 18 | ONE-CLICK START SWITCH | 1 | 85.561.158 |
| 19 | ONE-CLICK START MODULE | 1 | 85.561.169 |

BE

POWER EQUIPMENT

If you need technical assistance call:

1-866-850-6662

(8:00am - 4:30pm PST, Mon - Fri)