



# PARTS BREAKDOWN GENERATOR

MODEL:BE7000

---



---

**BEPOWEREQUIPMENT**

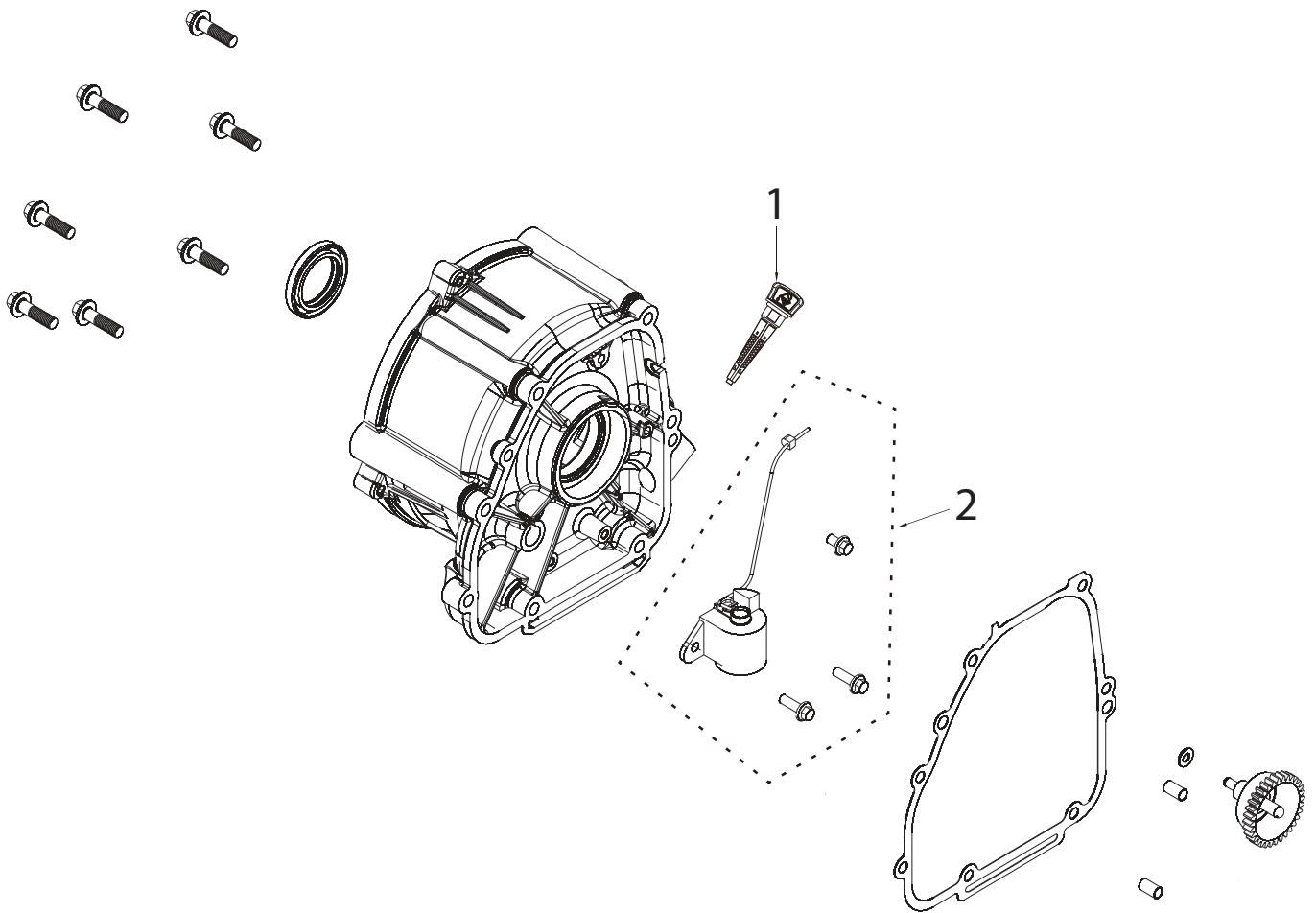
**.COM**



# PARTS BREAKDOWN GENERATOR

MODEL:BE7000

## CRANKCASE



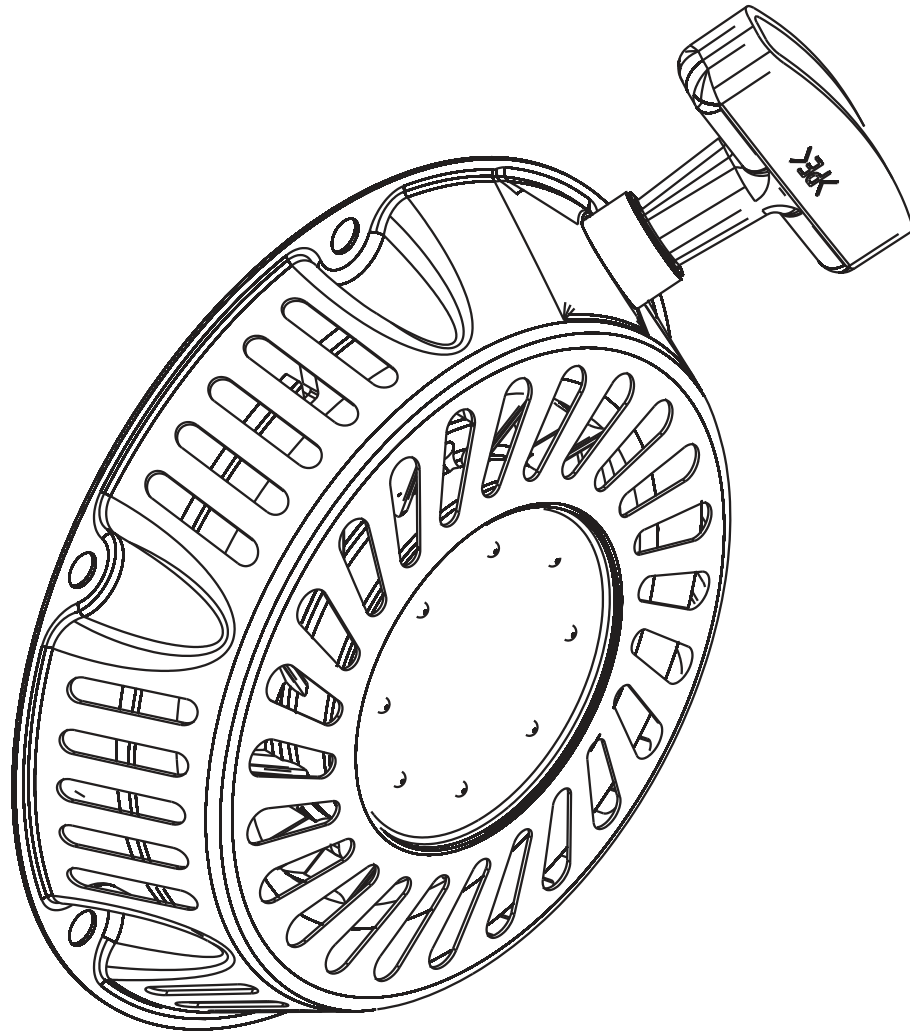
REF #	DESCRIPTION	QTY	BE PART #
1	MAGNETIC DIPSTICK	1	85.561.017
2	LOW OIL SENSOR	1	85.561.092



# PARTS BREAKDOWN GENERATOR

MODEL:BE7000

## ENGINE STARTER



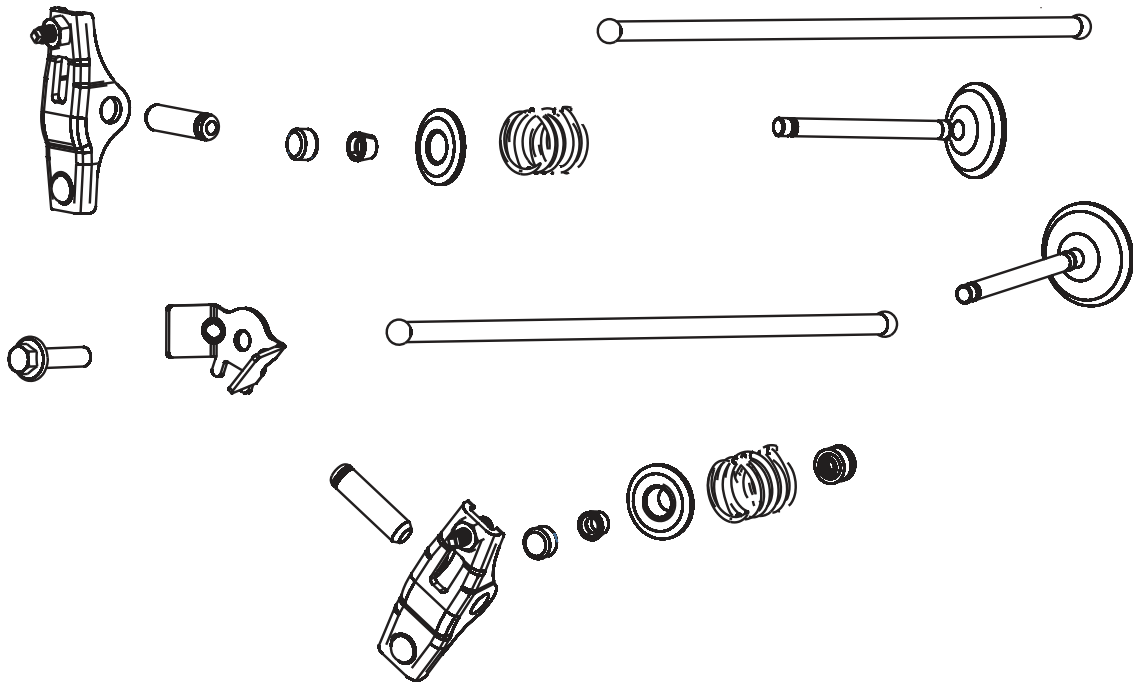
REF #	DESCRIPTION	QTY	BE PART #
1	RECOIL ASSEMBLY	1	85.561.018



# PARTS BREAKDOWN GENERATOR

MODEL:BE7000

## VALVE ASSEMBLY



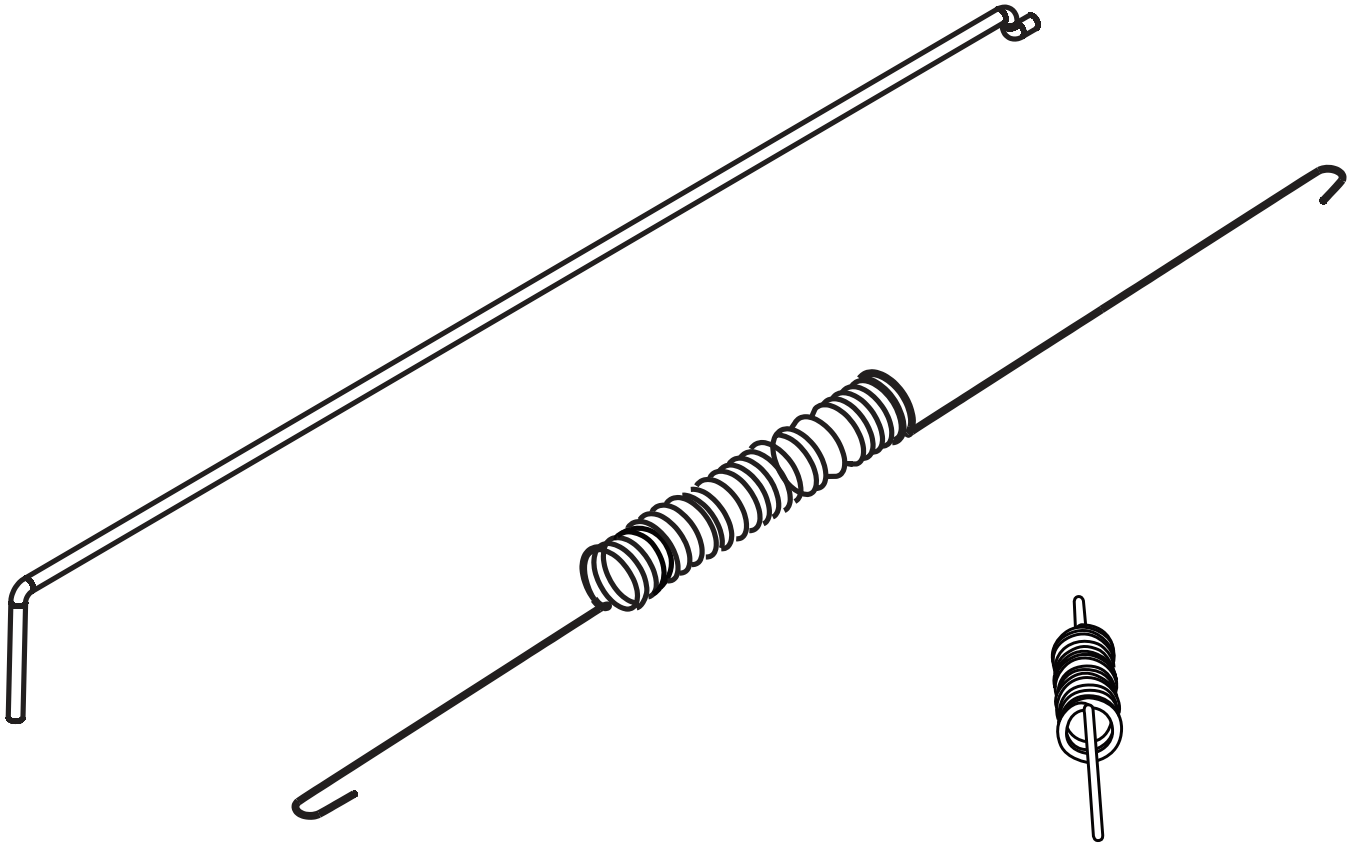
REF #	DESCRIPTION	QTY	BE PART #
1	VALVE ASSEMBLY	1	85.561.089



# PARTS BREAKDOWN GENERATOR

MODEL:BE7000

## THROTTLE SPRINGS



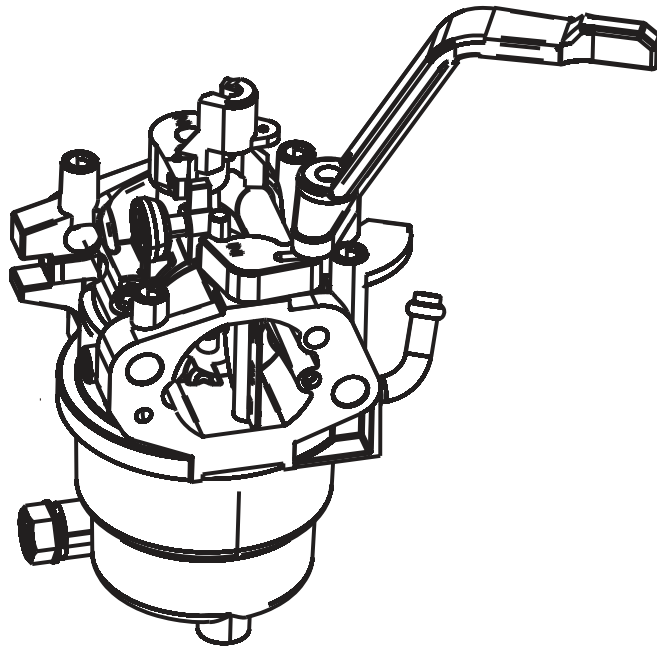
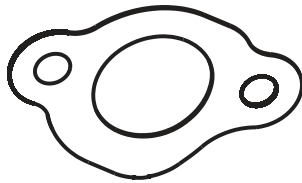
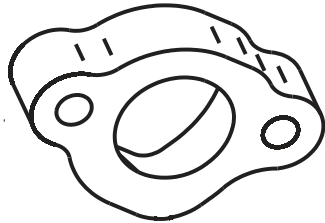
REF #	DESCRIPTION	QTY	BE PART #
1	ROD, SPRINGS, AND THROTTLE ADJUSTMENT	1	85.561.090



# PARTS BREAKDOWN GENERATOR

MODEL:BE7000

## CARBURETOR PARTS



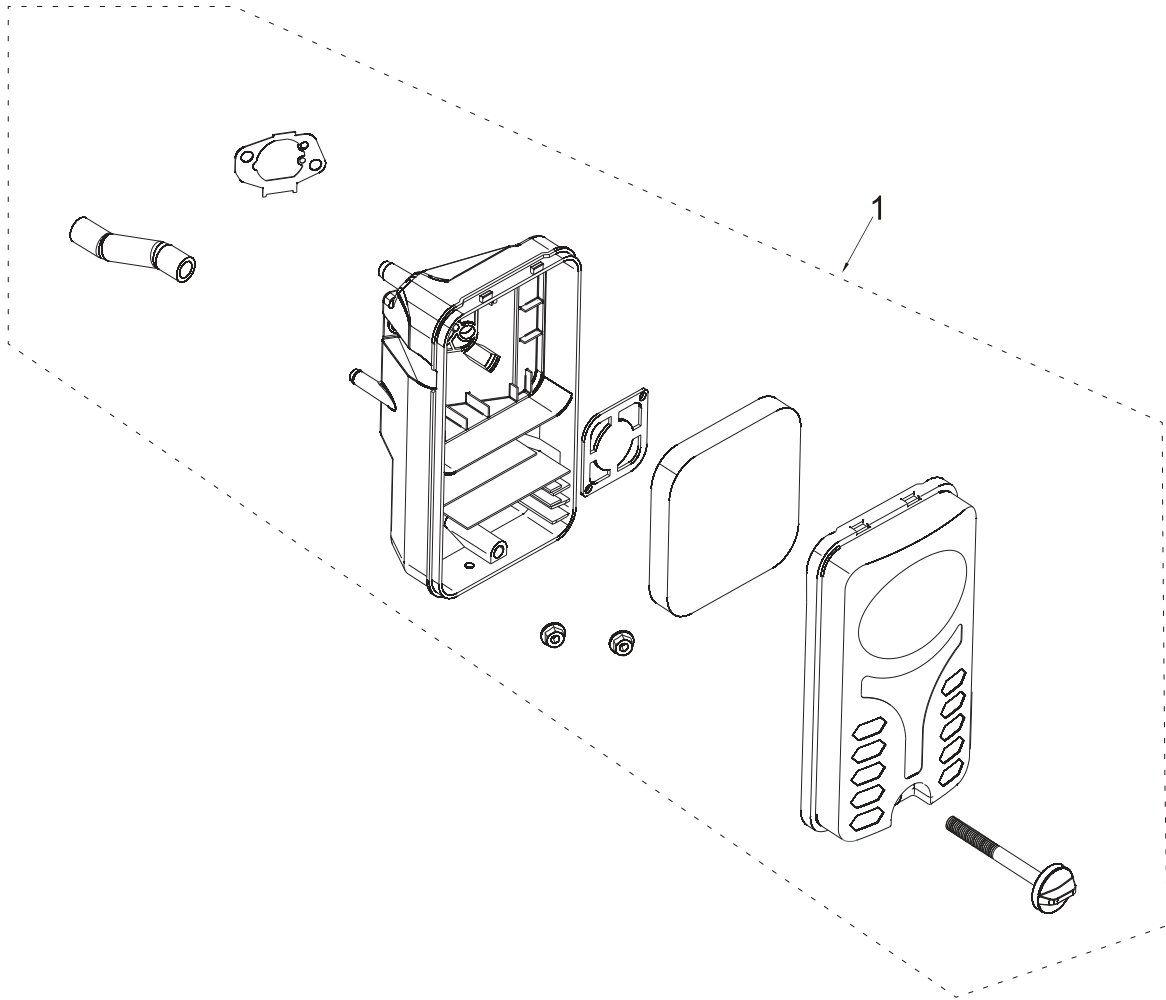
REF #	DESCRIPTION	QTY	BE PART #
1	CARBURETOR ASSEMBLY	1	85.561.014



# PARTS BREAKDOWN GENERATOR

MODEL:BE7000

## AIR CLEANER



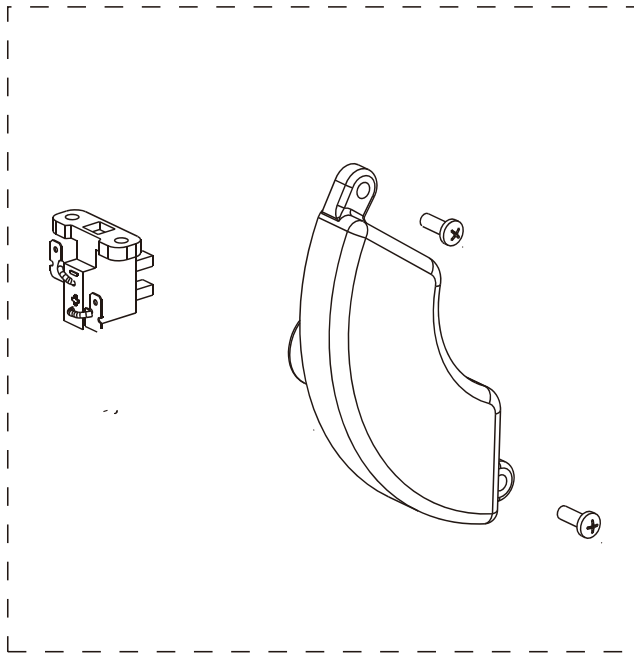
REF #	DESCRIPTION	QTY	BE PART #
1	AIR CLEANER ASSEMBLY	1	85.561.015



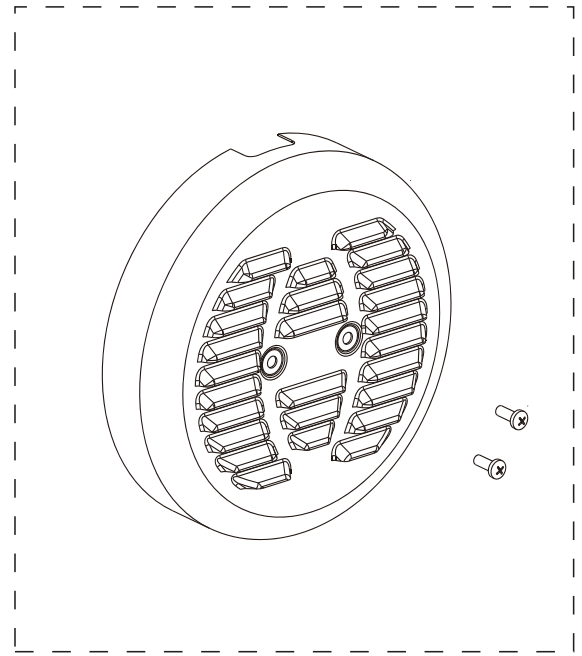
# PARTS BREAKDOWN GENERATOR

MODEL:BE7000

## AVR AND BRUSHES



↑  
1



↑  
2

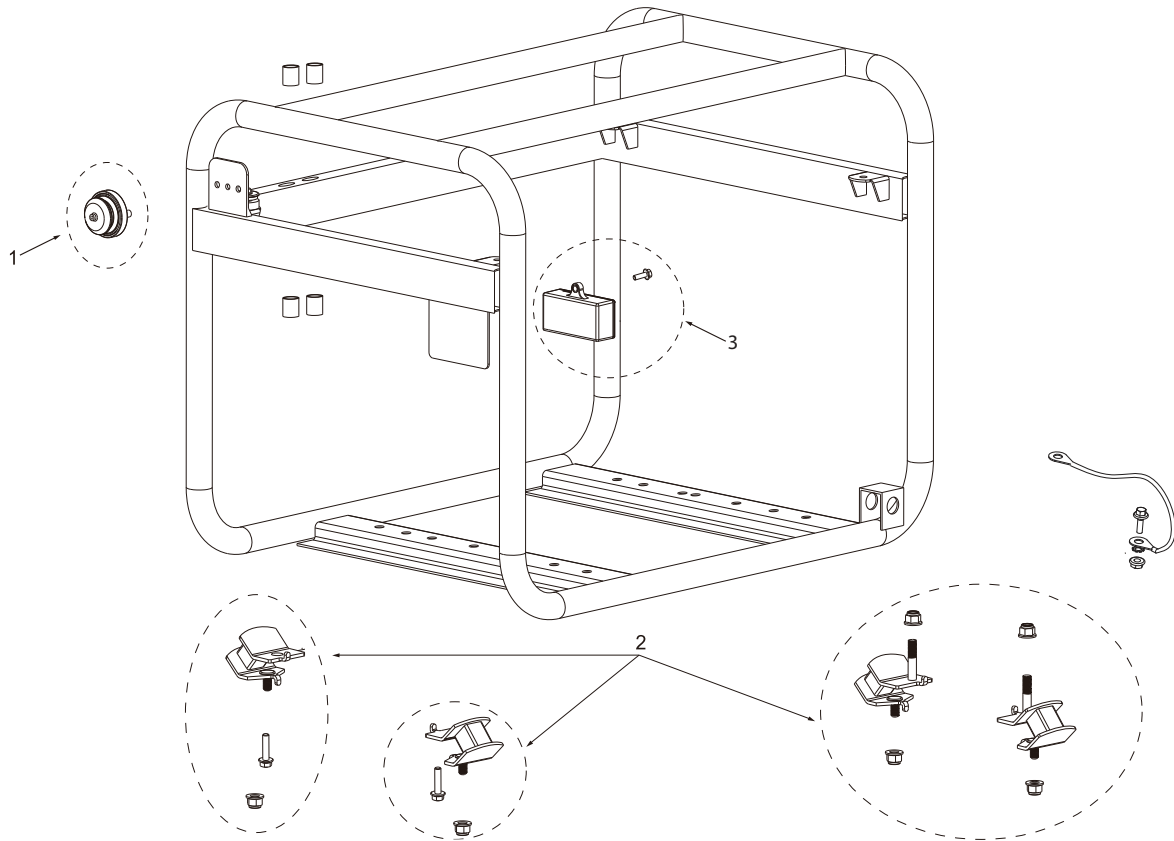
REF #	DESCRIPTION	QTY	BE PART #
1	AVR & BRUSHES	1	85.561.016
2	ALTERNATOR TAIL COVER	1	85.561.093



# PARTS BREAKDOWN GENERATOR

MODEL:BE7000

## FRAME PARTS



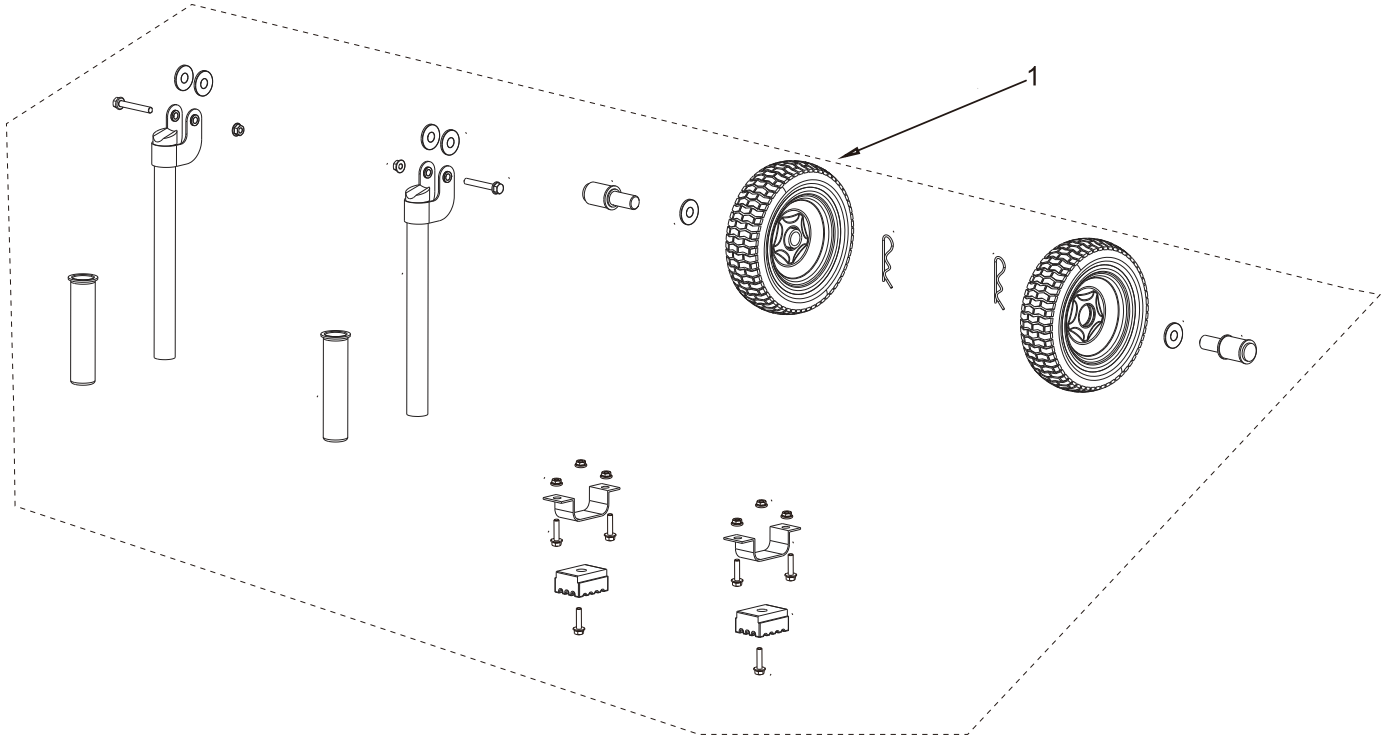
REF #	DESCRIPTION	QTY	BE PART #
1	COLD WEATHER PRIMER	1	85.561.005
2	SHOCK ABSORBER SET	1	85.561.091
3	CO ALARM	1	85.561.006



# PARTS BREAKDOWN GENERATOR

MODEL:BE7000

## WHEEL AND HANDLE SET



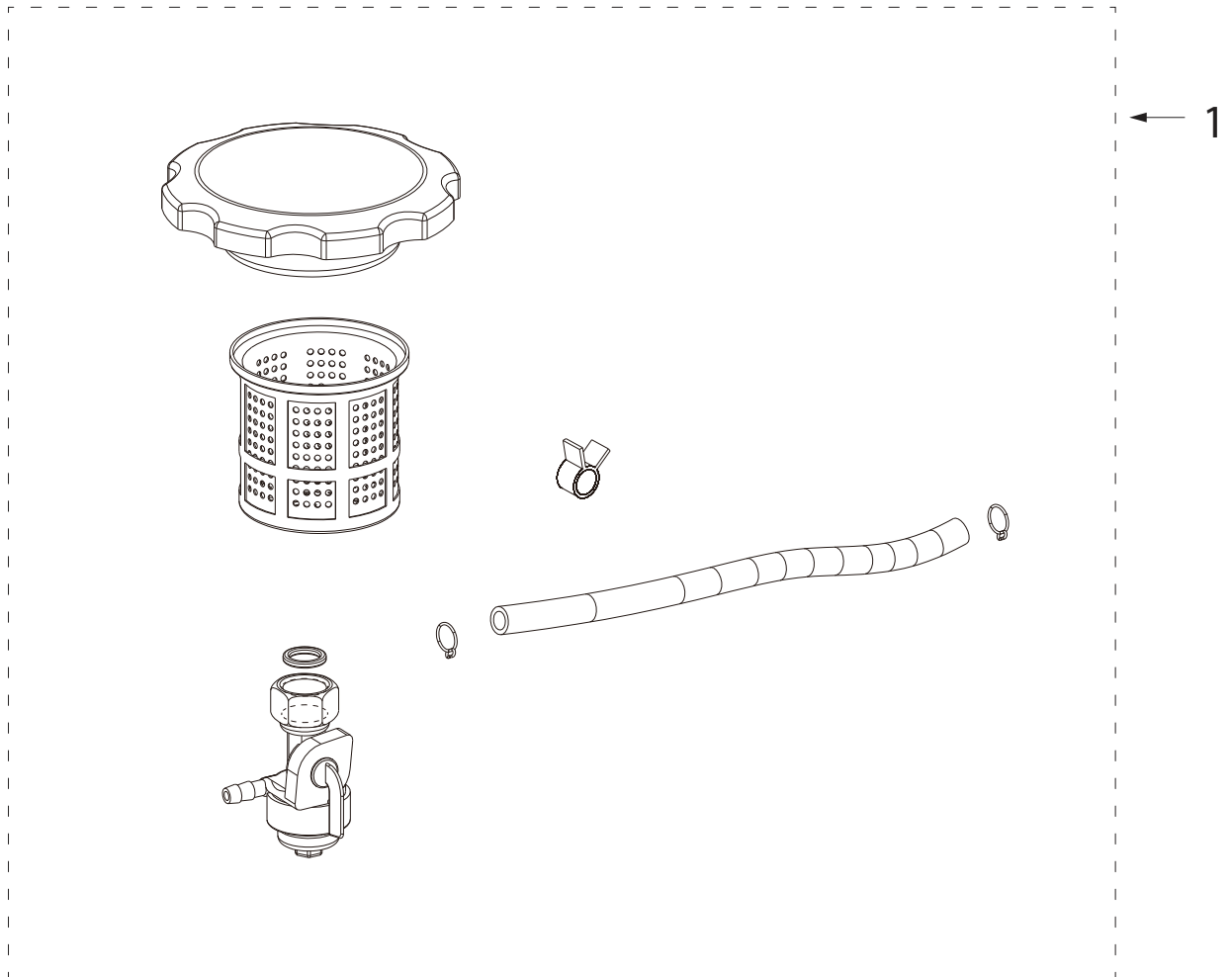
REF #	DESCRIPTION	QTY	BE PART #
1	WHEEL AND HANDLE SET	2	85.561.011



# PARTS BREAKDOWN GENERATOR

MODEL:BE7000

## FUEL PARTS



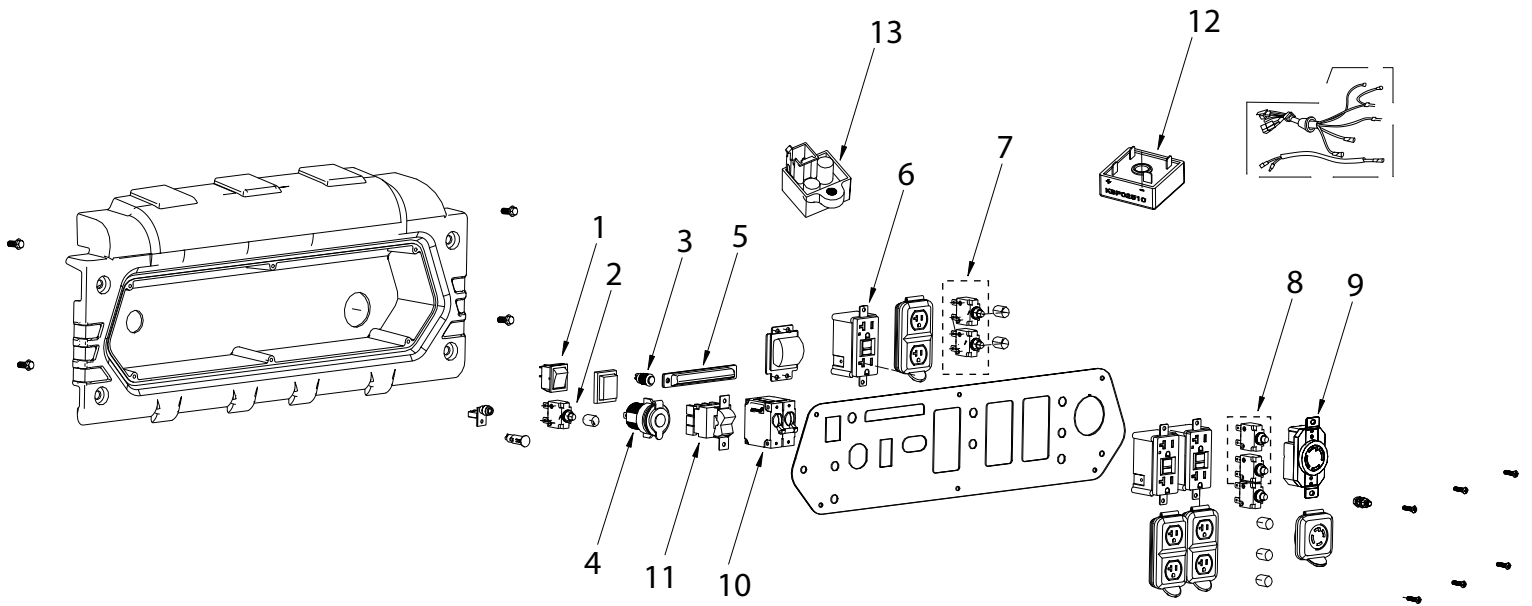
REF #	DESCRIPTION	QTY	BE PART #
1	FUEL TANK COVER ASSEMBLY	1	85.561.013



# PARTS BREAKDOWN GENERATOR

MODEL:BE7000

## CONTROL PANEL



REF #	DESCRIPTION	QTY	BE PART #
1	ENGINE SWITCH	1	85.561.135
2	DC THERMAL PROTECTION 8A	1	85.561.147
3	LED SWITCH	1	85.561.136
4	DC12V	1	85.561.148
5	LED LIGHT	1	85.561.137
6	AC RECEPTACLE(GFCI) AC125V/20A	3	85.561.146
7	PROTECTOR 20A	3	85.561.141
8	PROTECTOR 30A	2	85.561.149
9	AC RECEPTACLE AC125V250V/30A	1	85.561.145
10	CIRCUIT BREAKER 2P-23A	1	85.561.150
11	VOLTAGE SWITCH	1	85.561.143
12	RECTIFIER BRIDGE	1	85.561.149
13	DC08	1	85.561.142

# BE

**POWER EQUIPMENT**

---

If you need technical assistance call:

**1-866-850-6662**

(8:00am - 4:30pm PST, Mon - Fri)