



PARTS BREAKDOWN INVERTER GENERATOR

MODEL: BE10500iT



BEPOWEREQUIPMENT

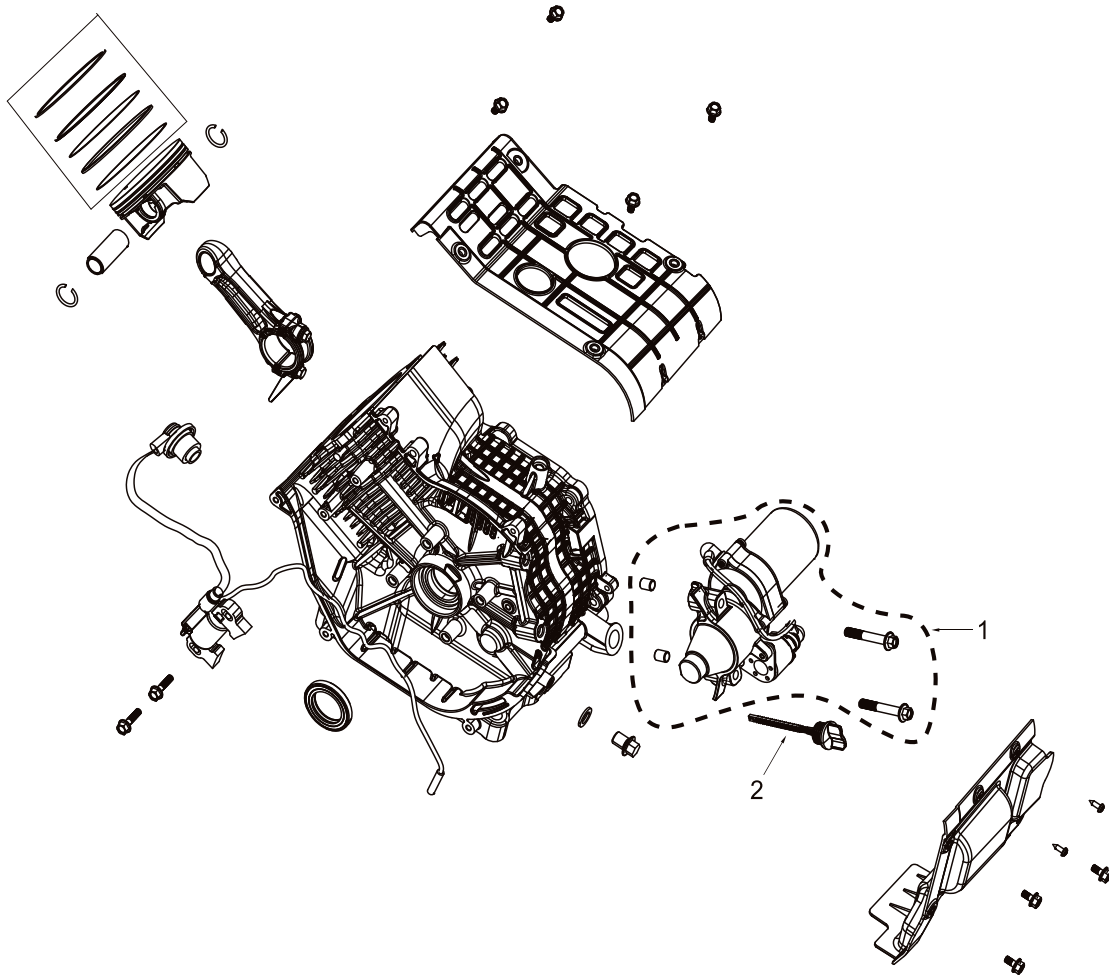
.COM



PARTS BREAKDOWN INVERTER GENERATOR

MODEL: BE10500iT

CRANKCASE



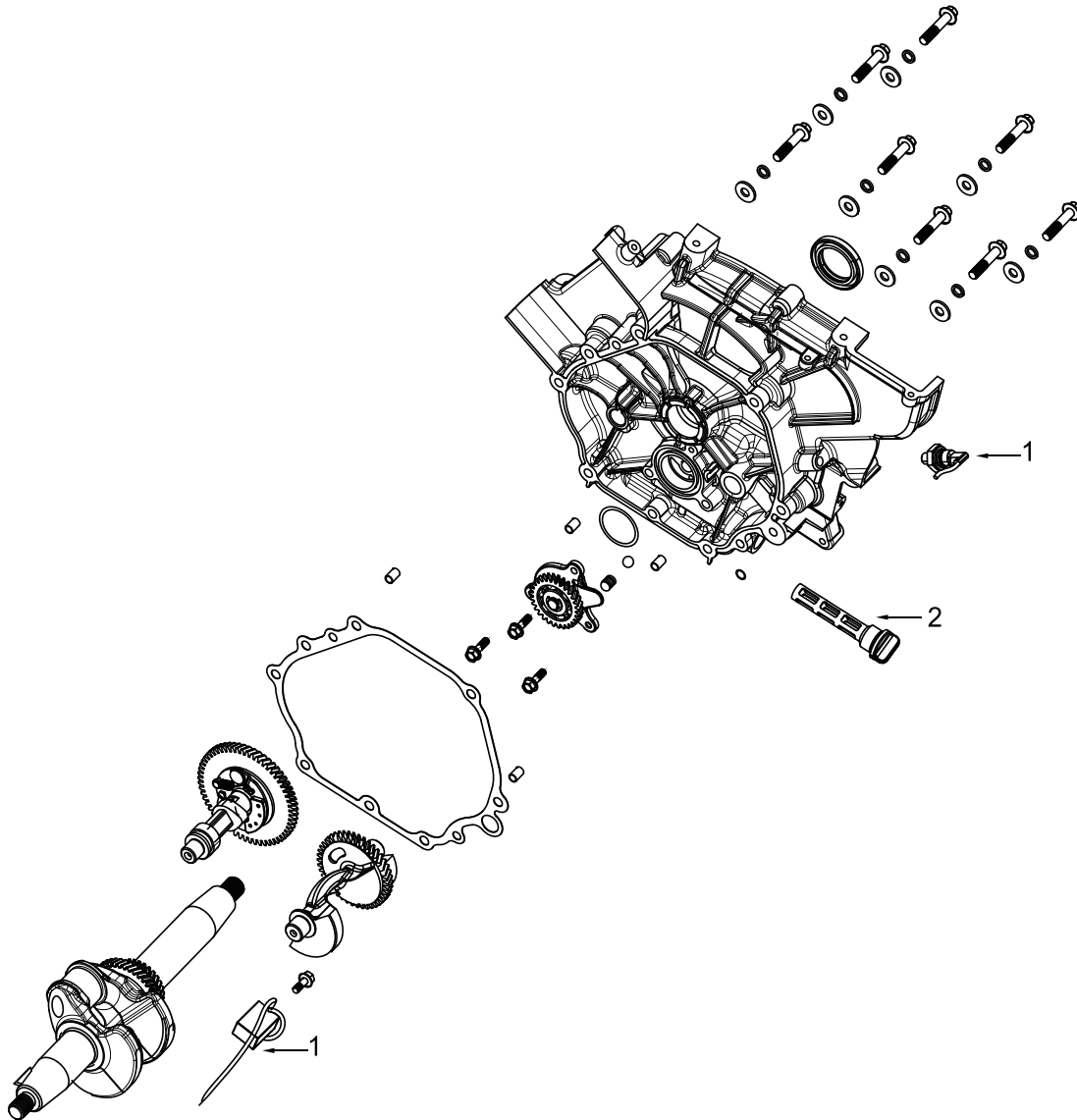
REF #	DESCRIPTION	QTY	BE PART #
1	MOTOR STARTER	1	85.561.034
2	OIL DIPSTICK	1	85.561.040



PARTS BREAKDOWN INVERTER GENERATOR

MODEL: BE10500iT

CRANKCASE COVER



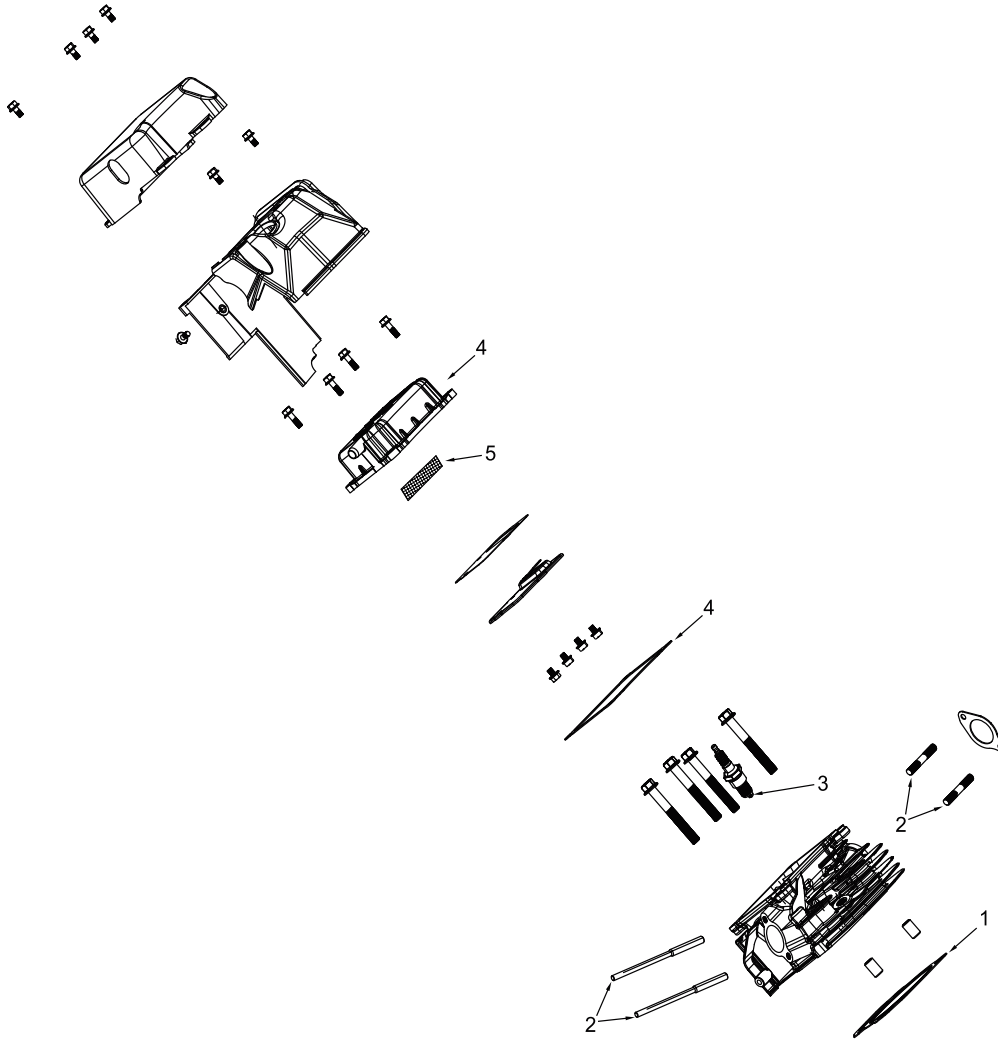
REF #	DESCRIPTION	QTY	BE PART #
1	OIL ALARM MODULE	1	85.561.129
2	OIL FILTER PLUG	1	85.561.042



PARTS BREAKDOWN INVERTER GENERATOR

MODEL: BE10500iT

CYLINDER HEAD PARTS



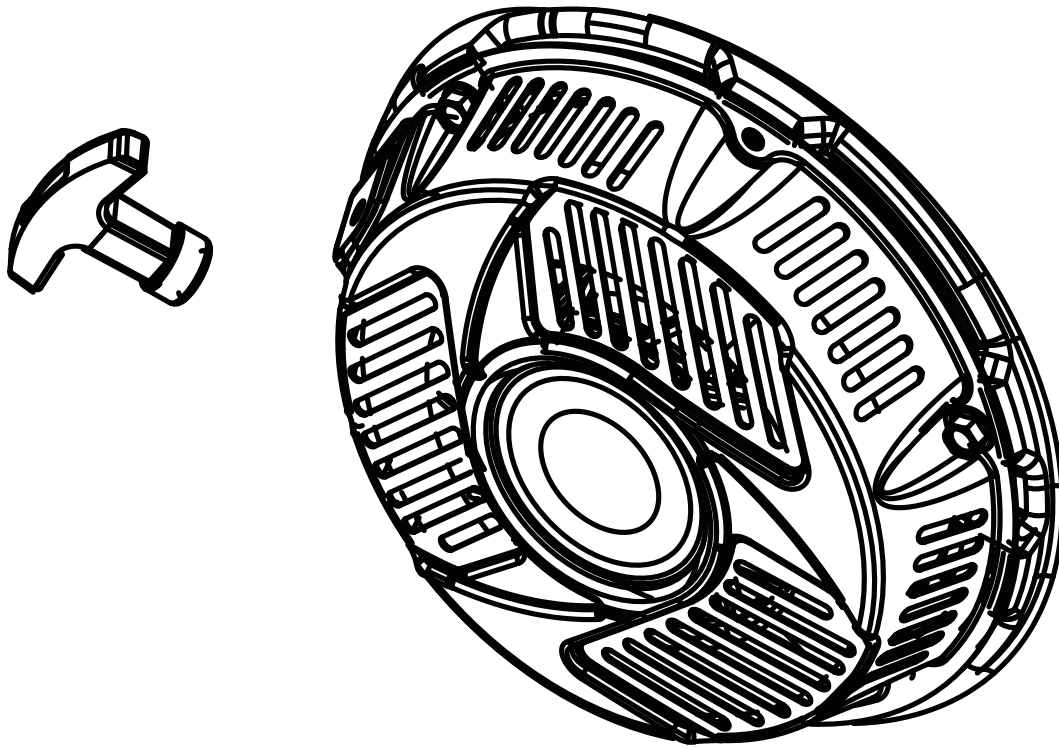
REF #	DESCRIPTION	QTY	BE PART #
1	CYLINDER HEAD GASKET	1	85.561.130
2	BOLT	4	85.561.125
3	SPARK PLUG	1	85.561.115
4	CYLINDER HEAD COVER PAD	1	85.561.094
5	OIL CONDENSER	1	85.561.096



PARTS BREAKDOWN INVERTER GENERATOR

MODEL: BE10500iT

ENGINE STARTER



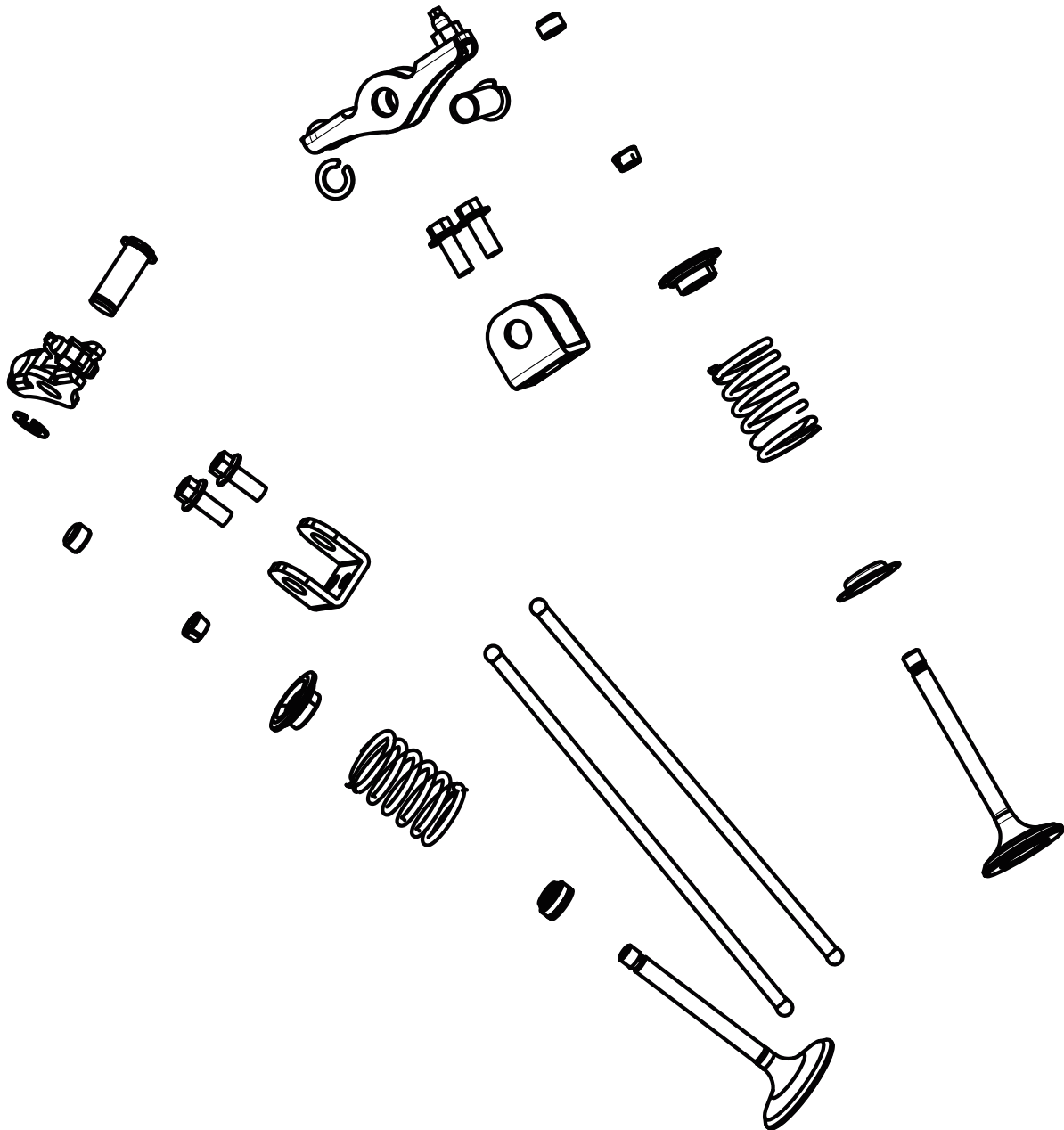
REF #	DESCRIPTION	QTY	BE PART #
1	RECOIL STARTER	1	85.561.020



PARTS BREAKDOWN INVERTER GENERATOR

MODEL: BE10500iT

VALVE ASSEMBLY



REF #	DESCRIPTION	QTY	BE PART #
1	VALVE ASSEMBLY	1	85.561.126



PARTS BREAKDOWN INVERTER GENERATOR

MODEL: BE10500iT

AIR CLEANER



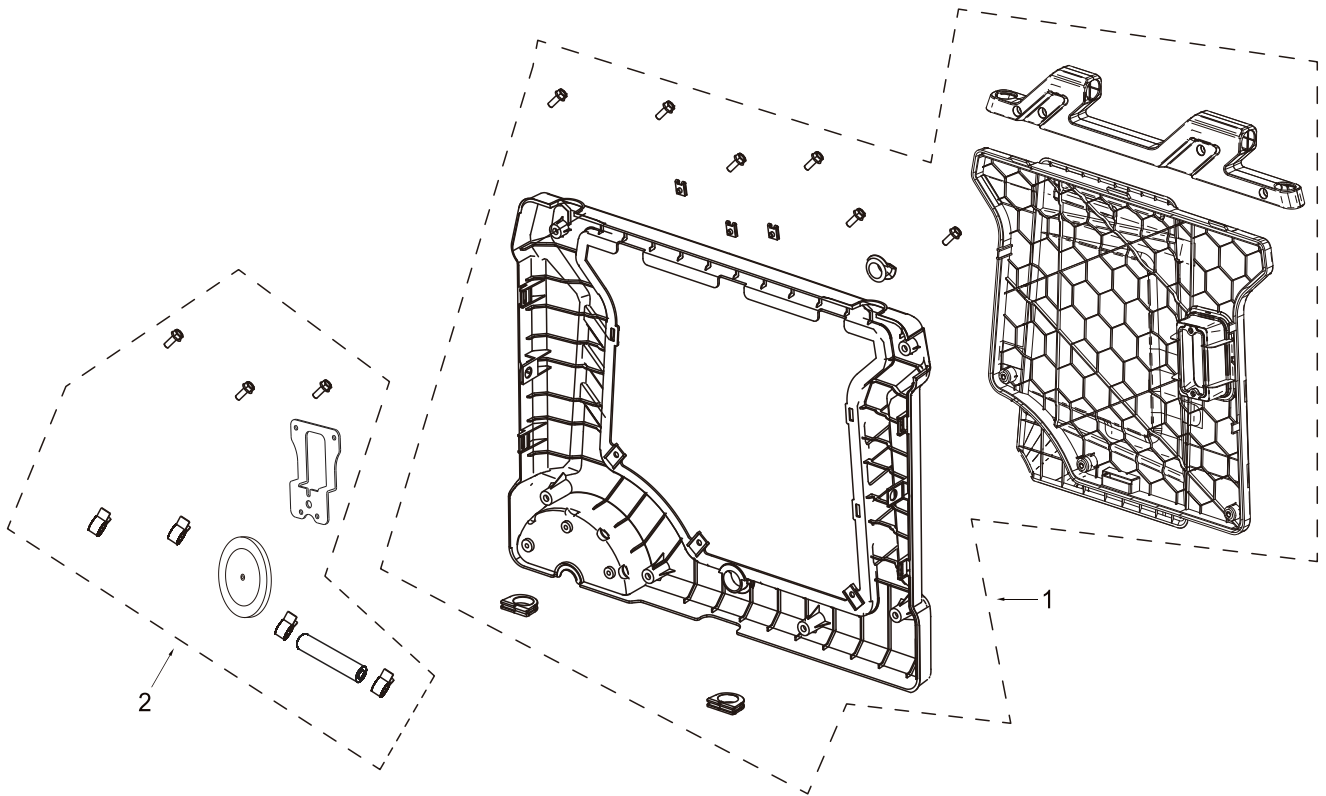
REF #	DESCRIPTION	QTY	BE PART #
2	AIR CLEANER ASSEMBLY	1	85.561.036



PARTS BREAKDOWN INVERTER GENERATOR

MODEL: BE10500iT

RIGHT HOUSING



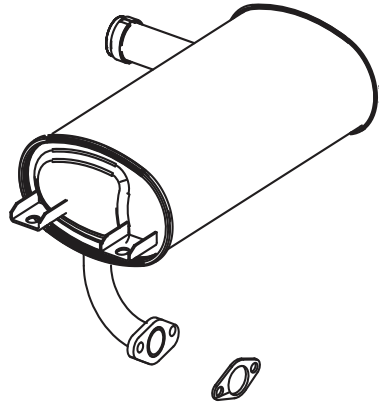
REF #	DESCRIPTION	QTY	BE PART #
1	EXTERIOR RIGHT COVER	1	85.561.127
2	PRESSURE REDUCING VALVE	1	85.561.074



PARTS BREAKDOWN INVERTER GENERATOR

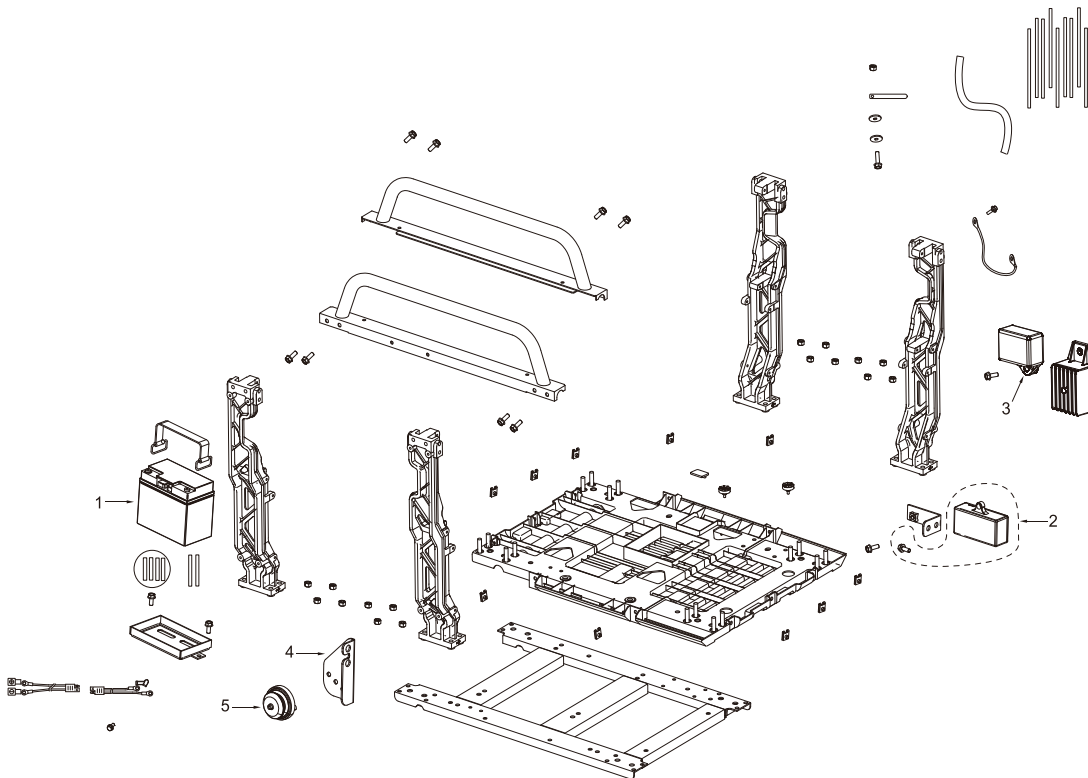
MODEL: BE10500iT

MUFFLER ASSEMBLY



REF #	DESCRIPTION	QTY	BE PART #
1	MUFFLER ASSEMBLY	1	85.561.128

FRAME



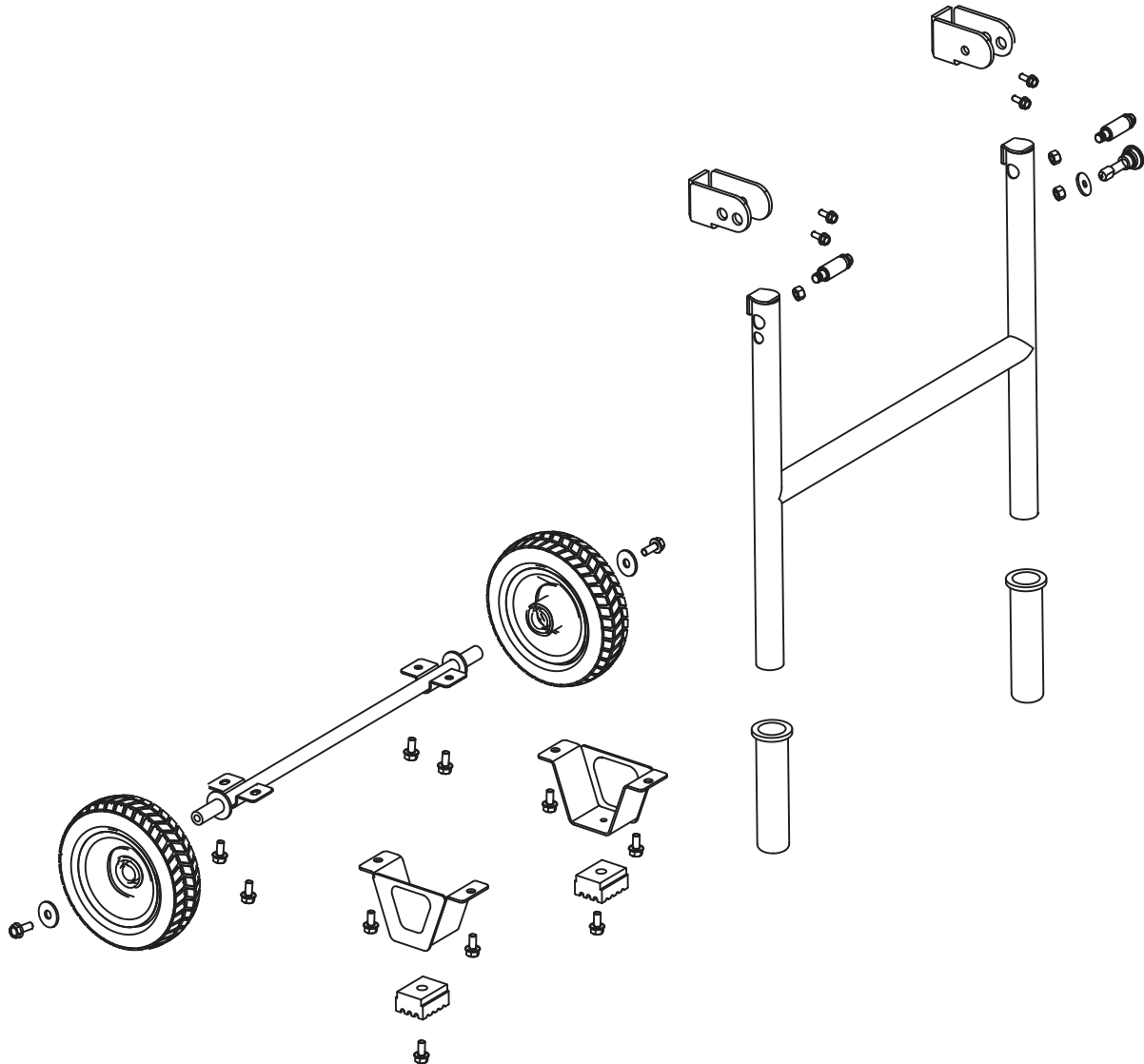
REF #	DESCRIPTION	QTY	BE PART #
1	LITHIUM BATTERY	1	85.561.032
2	CO ALARM	1	85.561.006
3	SPEED GOVERNOR	1	85.561.041
4	PRIMER MOUNTING PLATE	1	85.561.075
5	COLD WEATHER PRIMER PUMP	1	85.561.005



PARTS BREAKDOWN INVERTER GENERATOR

MODEL: BE10500iT

WHEEL AND HANDLE SET



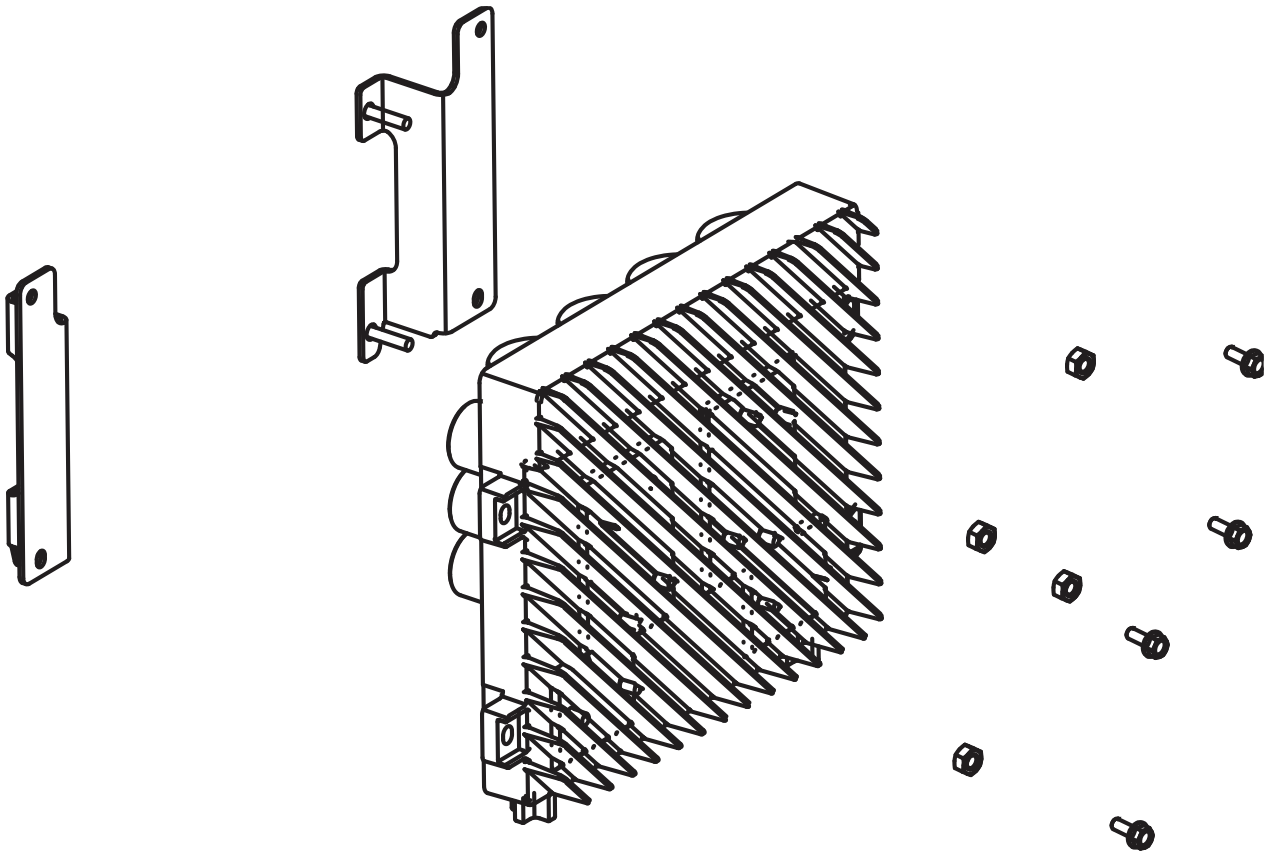
REF #	DESCRIPTION	QTY	BE PART #
1	WHEEL AND HANDLE SET	1	85.561.076



PARTS BREAKDOWN INVERTER GENERATOR

MODEL: BE10500iT

INVERTER ASSEMBLY



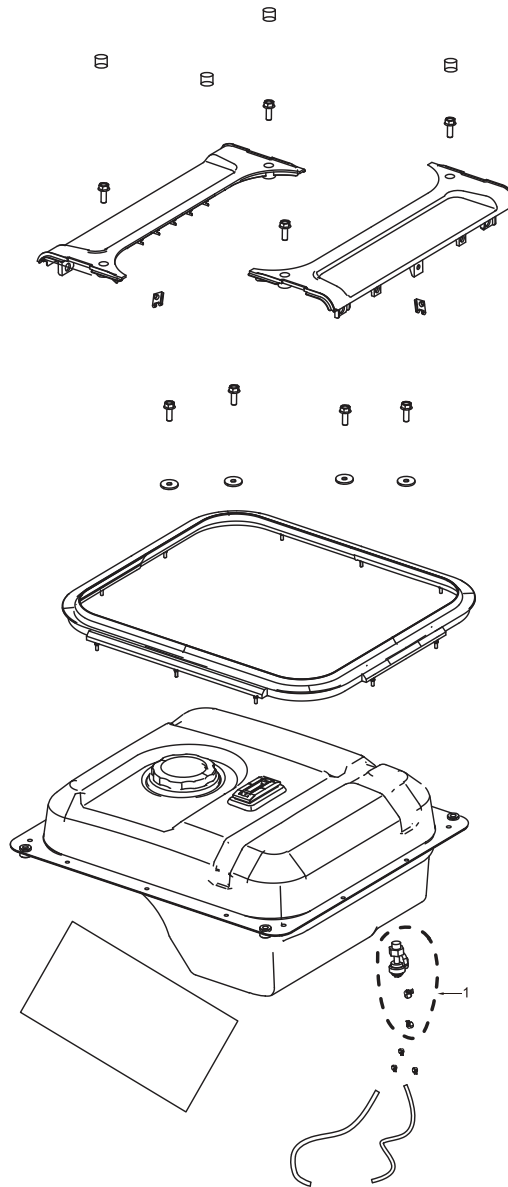
REF #	DESCRIPTION	QTY	BE PART #
1	INVERTER WITH MOUNTING HARDWARE	1	85.561.077



PARTS BREAKDOWN INVERTER GENERATOR

MODEL: BE10500iT

FUEL TANK COMPONENTS



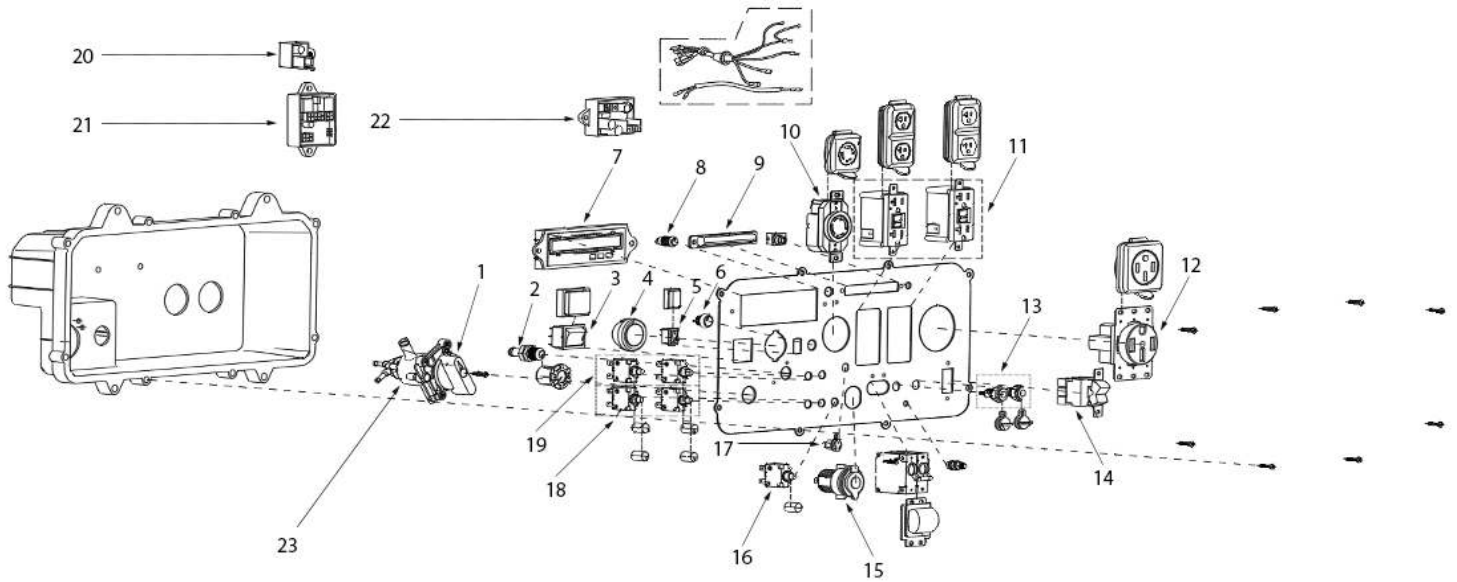
REF #	DESCRIPTION	QTY	BE PART #
1	FUEL TANK SWITCH	1	85.561.078



PARTS BREAKDOWN INVERTER GENERATOR

MODEL: BE10500iT

CONTROL PANEL



REF #	DESCRIPTION	QTY	BE PART #
1	FUEL SELECTOR SWITCH KNOB	1	85.561.173
2	NG/LPG INTAKE CONNECTION	1	85.561.174
3	ENGINE SWITCH	1	85.561.154
4	ONE-CLICK START SWITCH	1	85.561.158
5	IDLE SWITCH	1	85.561.153
6	RESET SWITCH	1	85.561.165
7	MULTIFUNCTIONAL DIGITAL DISPLAY	1	85.561.178
8	LED SWITCH	1	85.561.136
9	LED LIGHT	1	85.561.155
10	AC RECEPTACLE AC125V250V/30A	1	85.561.145
11	AC RECEPTACLE(GFCI) AC125V/20A	2	85.561.146
12	AC RECEPTACLE AC125V250V/50A	1	85.561.162
13	PARALLEL SOCKET	2	85.561.166
14	VOLTAGE SELECTOR SWITCH	1	85.561.143
15	DC12V	1	85.561.148
16	DC THERMAL PROTECTION 8A	1	85.561.147
17	BATTERY CHARGER	1	85.561.157
18	PROTECTOR 20A	2	85.561.141
19	PROTECTOR 30A	2	85.561.149
20	DC08	1	85.561.142
21	ONE-CLICK START MODULE	1	85.561.160
22	EC1603	1	85.561.175
23	TRI-FUEL SELECTOR SWITCH	1	85.561.176

BE

POWER EQUIPMENT

If you need technical assistance call:

1-866-850-6662

(8:00am - 4:30pm PST, Mon - Fri)