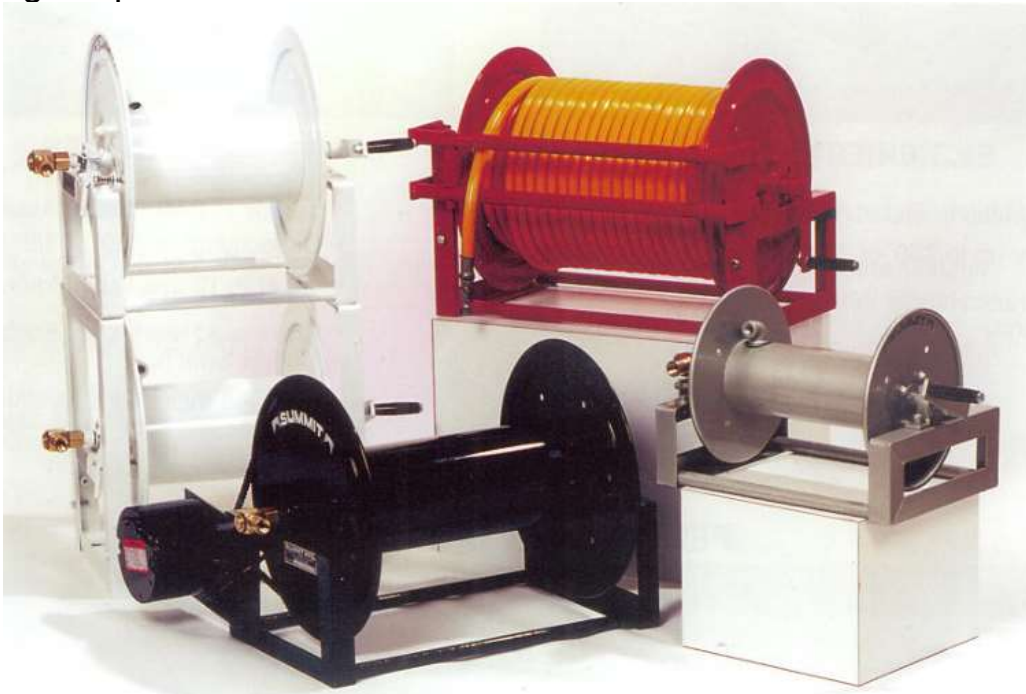


SUMMIT

Manufacturing Corporation

HIGH PRESSURE HOSE REELS



Specialized Hose Reels Designed For:

- **Pest Control**
- **Lawn Care**
- **Steam Cleaning**
- **Industrial Maintenance**
- **Pressure Washing**
- **Agriculture**
- **Numerous Applications**

Compare Our Features & Benefits
You'll "Wind Up" With

SUMMIT HOSE REELS

www.summithosereels.com

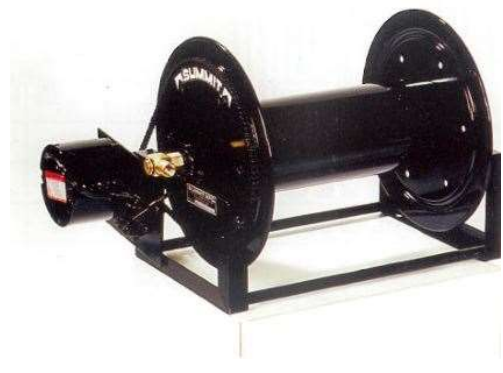
MANUAL "HAND-CRANK" HOSE REEL



SM SERIES

- 1/2" or 1" Inlet / Outlet Available.
- Capacity up to 780' of 1/4" Hose.
- Steel Crank Handle With Free Turning Hand Grip.

ELECTRIC "12-VOLT" HOSE REEL



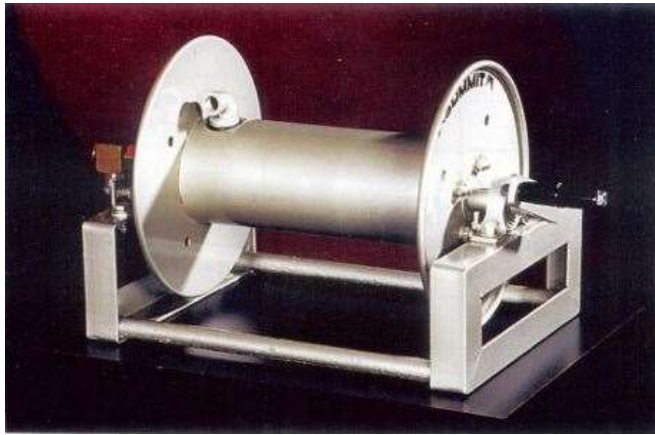
SME SERIES

- 1/2" or 1" Inlet / Outlet Available.
- Capacity up to 780' of 1/4" Hose.
- 1/3 H.P. 12 Volt D. C. Motor.
- Pre-wired Heavy Duty Push Button Switch.
- Solenoid Included & Mounted.

FEATURES & BENEFITS

- **Square frame design (LIFETIME WARRANTY) generally found only on large Heavy Duty Reels.**
- **Disc is made of 16 gauge galvanized steel with roiled edge and strengthening ridge.**
- **Bolt on spring-loaded locks, for easy field adjustment, or replacement. Standard on all reels.**
- **High quality sealed bearings. No lubrication required.**
- **Adjustable tension spring – keeps hose from free rolling.**
- **Predrilled mounting holes for easy installation on truck, trailer, or wall mounting.**
- **Aflas seals are standard on all Reel models.**
- **All Reels are rated at 250° and 3500 PSI operating pressure.**
- **All Reels are pressure tested.**
- **State of the art powder coated paint systems. Builds four times the film thickness and is 10 times more resistant to scratching and chipping.**
- **Powder coated reels provide twice the resistance to rust as does liquid coating. Many color options available.**
- **All Reels are built with the finest quality material available for long lasting service.**

“MINI” HOSE REEL



MR SERIES

- 1/2" Inlet – 3/8" Outlet.
- Capacity up to 175' of 1/4" Hose
- Compact Design – 12" High.
- Same Heavy Duty Construction as Standard Size Reels.

“MINI” HOSE REEL MOUNTED ON 12 - VOLT SPRAYERS



MR SERIES

- Ideal for Pest Control Industry.
- Ideal for Pressure Washer Industry
- Compact Design – 12" high.
- Easily mounted.



STACK-KIT

- Stack 2 Hose Reels in a 36" high space.
- Pre-drilled holes, anchor bolts included.
- Manual and Electric reels can be stacked.
- Two piece stack frame is mounted to bottom reel.
- Top reel is mounted to stack frame.

HOSE-GUIDE

- Keeps hose under control at any angle.
- 4 way roller operation.
- Replaceable rollers, PVC, metal or stainless steel.
- Pre-drilled holes, anchor bolts included.
- Easily mounted.



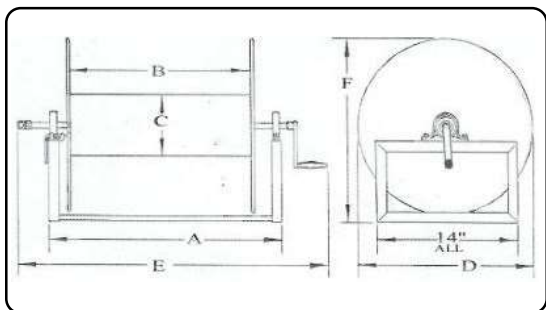
SWIVELS

SM 104	Swivel	1/2" Steel	3500PSI
SM 120	Swivel	1" Steel	3000PSI

All swivels shipped same day!

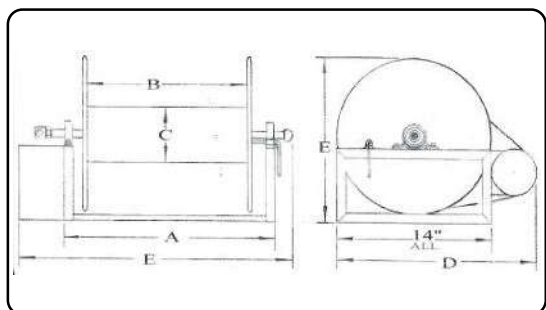
Specifications

MANUAL – SM SERIES



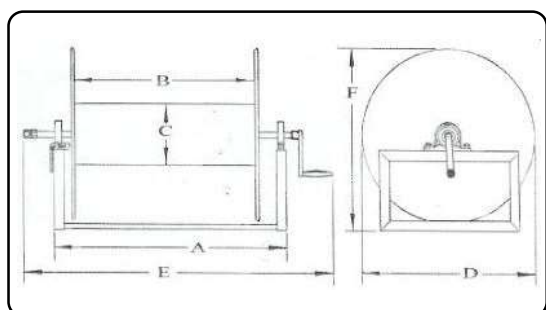
Model Number	Reel Dimension in Inches						Unit Weight
	A	B	C	D	E	F	
SM 8	13"	8"	6"	17"	21"	18"	35 lbs.
SM 12	17"	12"	6"	17"	25"	18"	38 lbs.
SM 18	23"	18"	6"	17"	31"	18"	42 lbs.
SM 22	27"	22"	6"	17"	35"	18"	46 lbs.

ELECTRIC – SME SERIES

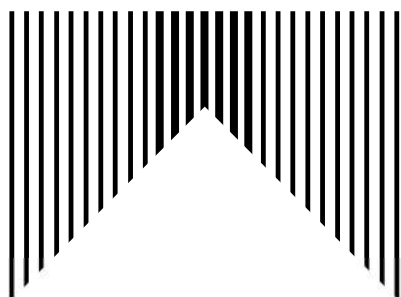


Model Number	Reel Dimension in Inches						Unit Weight
	A	B	C	D	E	F	
SME 8	13"	8"	6"	19.5"	20"	18"	68 lbs.
SME 12	17"	12"	6"	19.5"	24"	18"	70 lbs.
SME 18	23"	18"	6"	19.5"	30"	18"	75 lbs.
SME 22	27"	22"	6"	19.5"	34"	18"	80 lbs.

MINI-REEL – MR SERIES



Model Number	Reel Dimension in Inches						Unit Weight
	A	B	C	D	E	F	
MR 12	17"	12"	4"	13"	24"	12"	25 lbs.



SUMMIT

Manufacturing Corporation
 10586 East 59th Street
 Indianapolis, IN 46236
 info@summithosereels.com

Hose Capacity in Feet

SM & SME	1/4" ID	3/8" ID	1/2" ID	5/8" ID	1" ID
8	260'	180'	130'	100'	~~~
12	425'	300'	200'	150'	70'
18	625'	450'	325'	250'	125'
22	780'	550'	400'	300'	150'
MR 12	175'	125/150' *	~~~	~~~	~~~

* Thin wall hose

TEL (317) 823-2848 Fax (317) 823-2850
1 (800) 622-7404