



PARTS BREAKDOWN

HOT WATER PRESSURE WASHER

MODEL:HW2765HG



BEPOWEREQUIPMENT

.COM

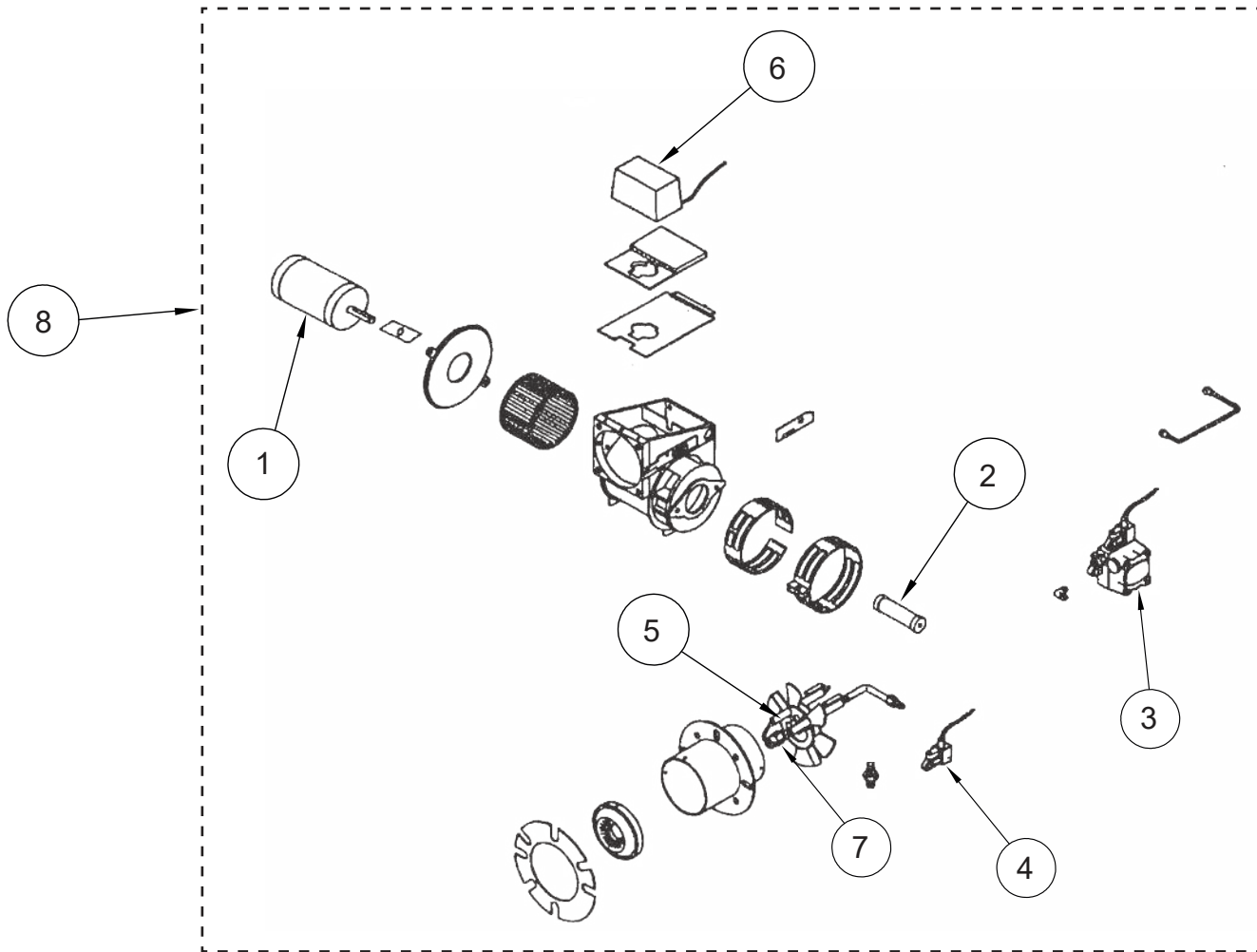


PARTS BREAKDOWN

HOT WATER PRESSURE WASHER

MODEL:HW2765HG

MSR-DC WAYNE BURNER



REF #	DESCRIPTION	QTY	BE PART #
1	MOTOR	1	59.121.001
2	COUPLING	1	59.121.002
3	FUEL PUMP	1	59.121.003
4	FUEL SOLENOID	1	59.121.004
5	ELECTRODE ASSEMBLY (SET OF 2)	1	59.121.005
6	IGNITER	1	59.121.006
7	FUEL NOZZLE	1	59.280.100B
8	COMPLETE UNIT	1	59.120.000

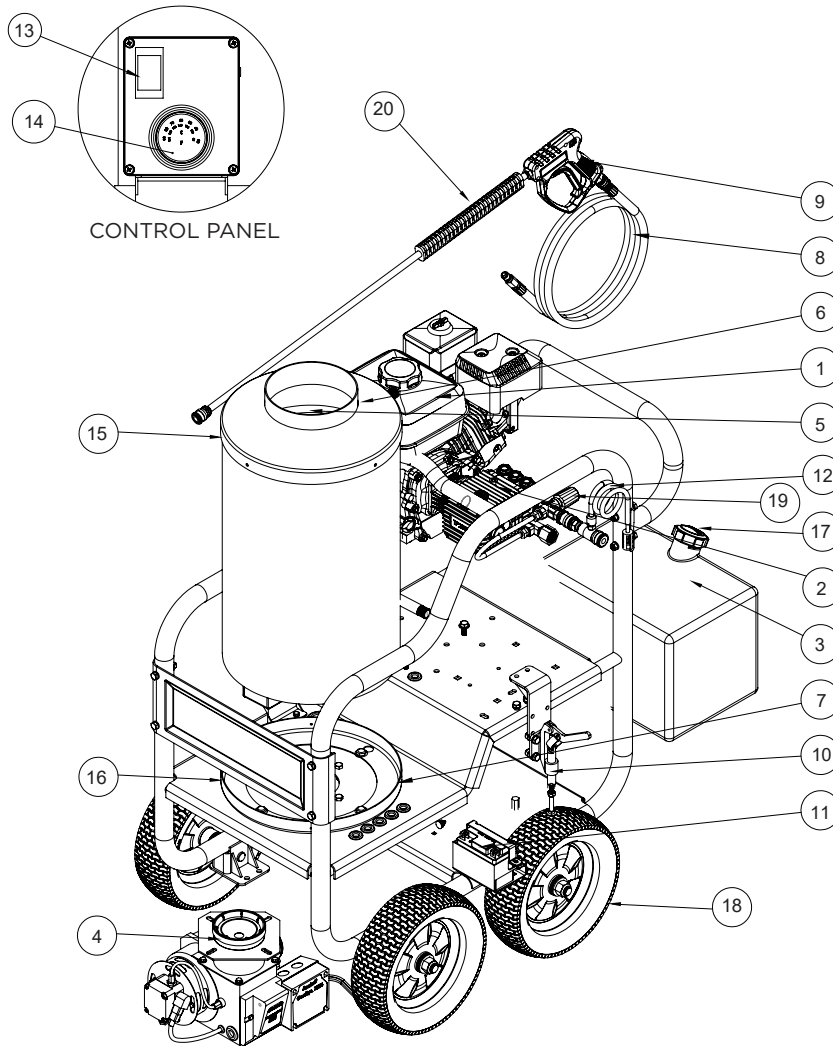


PARTS BREAKDOWN

HOT WATER PRESSURE WASHER

MODEL:HW2765HG

OVERALL UNIT



REF #	DESCRIPTION	QTY	BE PART #
1	HONDA ENGINE, GX200	1	N/A
2	PUMP ASSEMBLY, GP TP2530J34	1	85.130.020SPB
3	6 GALLON DIESEL FUEL TANK	1	85.601.044
4	WAYNE BURNER	1	59.120.000
5	HEATER COIL	1	59.000.030
6	CAP, COIL	1	59.000.301-BLK
7	BOTTOM RING, COIL	1	59.000.302-BLK
8	HIGH PRESSURE HOSE, 50FT	1	85.238.251
9	SPRAY GUN (DOESN'T INCLUDE LANCE)	1	85.205.064
10	BRAKE ASSEMBLY	1	85.604.104
11	BATTERY	1	85.603.002
12	DETERGENT INJECTOR ASSEMBLY	1	85.400.000

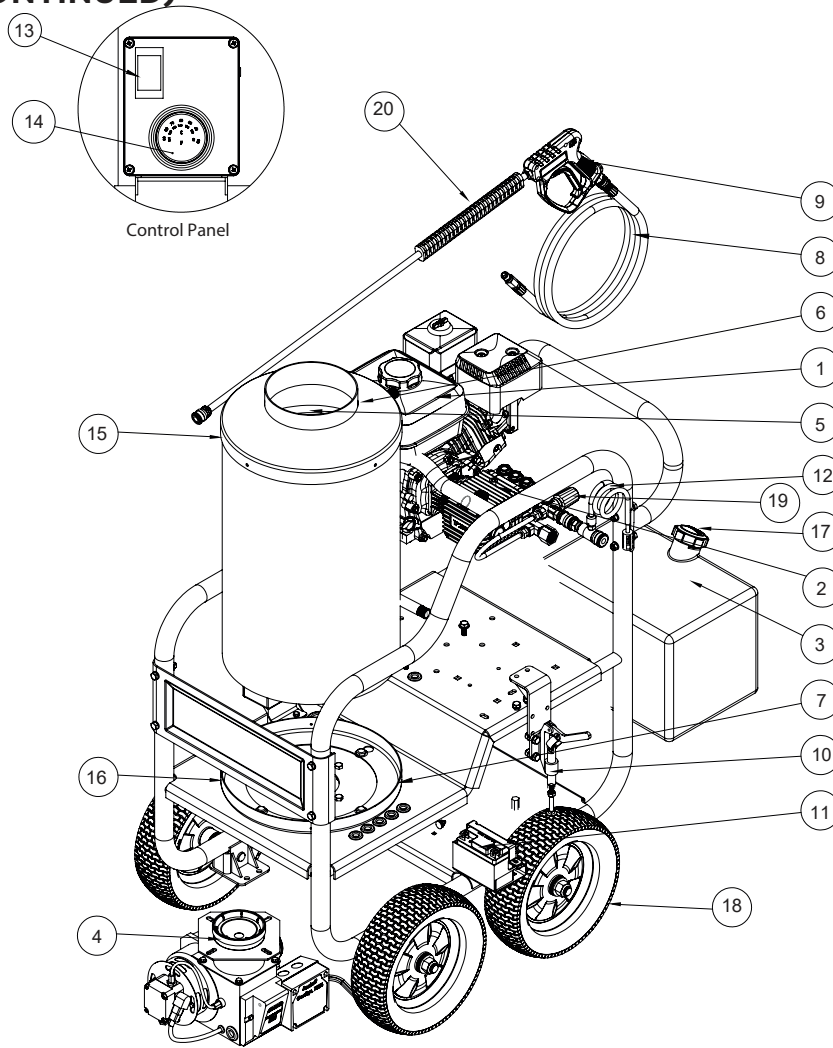


PARTS BREAKDOWN

HOT WATER PRESSURE WASHER

MODEL:HW2765HG

OVERALL UNIT (CONTINUED)



REF #	DESCRIPTION	QTY	BE PART #
13	ON/OFF SWITCH	1	85.504.028
14	THERMOSTAT, WITH INNER PROBE	1	85.400.071
15	INSULATION, TOP	1	59.000.303
16	INSULATION, BOTTOM	1	59.000.304
17	DIESEL FUEL CAP	1	59.000.123
18	WHEEL	4	85.660.054BF
19	UNLOADER	1	85.300.003
20	36" LANCE (DOESNT INCLUDE GUN TRIGGER)	1	85.202.026
NOT SHOWN	SPRAY NOZZLE SET, 0°,15°,25°,40°, SOAP	1	85.210.040H



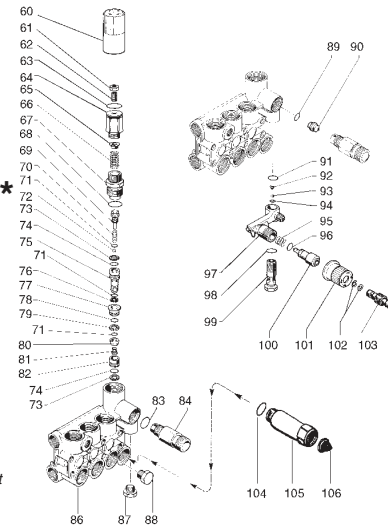
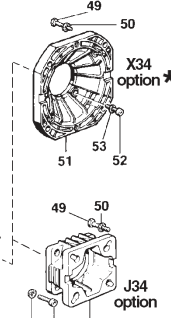
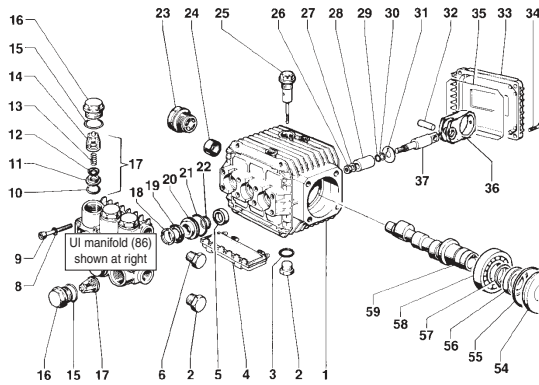
PARTS BREAKDOWN HOT WATER PRESSURE WASHER

MODEL:HW2765HG

PUMP BREAKDOWN

TP Series 51

GENERAL PUMP A member of the Interpump Group



"To reduce time and save money in assembling GP pumps to gasoline engines, General Pump recommends that you purchase the TP2530X34 pump with a GP #640042, J609-to-56C Adapter Flange and GP #100320 Bolt Kit.

PARTS LIST

ITEM	PART NO.	DESCRIPTION	KIT NO.	QTY.	ITEM	PART NO.	DESCRIPTION	KIT NO.	QTY.	ITEM	PART NO.	DESCRIPTION	KIT NO.	QTY.
1.	51.0106.22	Crankcase		1	37.	51.0500.56	Plunger Rod	3	77.	36.3165.70	Valve Guide	102	1	
2.	98.2100.00	Plug, 3/8		1	49.	99.2730.00	Screw, J34	4	78.	90.3589.00	O-Ring	102	1	
3.	90.3833.00	O-Ring		1		99.3345.00	Screw, X34		79.	90.5075.00	Back-up Ring	102	1	
4.	51.2091.02	Protector		1	50.	96.7014.00	Washer, J34	4	80.	36.3190.66	Valve	102	1	
5.	90.1565.00	Oil Seal	83	3		96.7104.00	Washer, X34		81.	99.1509.00	Screw	102	1	
6.	98.2041.00	Plug, 1/4		1	51.	10.0346.22	Flange, J34	1	82.	36.3164.66	Valve Seat	102	1	
8.	96.6938.00	Washer		8		10.0344.22	Flange, X34		83.	90.3832.00	O-Ring	94	1	
9.	99.1943.00	Screw		8	52.	99.1867.00	Screw	4	84.	10.0078.70	Nipple, 3/8 BSPP-M		1	
10.	90.3841.00	O-Ring	123	6	53.	96.6938.00	Washer	4		10.0147.70	Nipple, M22-M		optional	
11.	36.2003.66	Valve Seat	123	6	54.	50.2115.51	Spacer	1		10.0318.70	Nipple, 3/8 NPT-F		optional	
12.	36.2001.76	Valve Plate	123	6	55.	90.4097.00	O-Ring	1	86.	51.1201.41	UI Manifold		1	
13.	94.7376.00	Spring	123	6	56.	90.1644.00	Oil Seal	1	87.	98.2057.00	Cap		1	
14.	36.2025.51	Valve Cage	123	6	57.	90.0667.00	Snap Ring	1	88.	98.2041.00	Cap		1	
15.	90.3847.00	O-Ring	6	6	58.	20.2835.21	Bearing	1	89.	90.3822.00	O-Ring	94	1	
16.	98.2216.00	Valve Cap	6	6	59.	51.0210.65	Crankshaft, TP2520	1	90.	10.0151.66	2 mm Nozzle		1	
17.	36.7115.01	Valve Assy.	123	6		51.0211.65	Crankshaft, TP2526	1	91.	90.3582.00	O-Ring	94	1	
18.	51.1000.51	Head Ring	96,97	3		51.0221.65	Crankshaft, TP2530	1	92.	94.8217.00	Spring	94	1	
19.	90.2620.00	Packing	96,97	3		51.0218.65	Crankshaft, TP2533	1	93.	97.4782.00	Ball	94	1	
20.	51.0800.70	Packing Retainer	86,96	3	60.	36.3187.51	Knob	1	94.	90.3572.00	O-Ring	94	1	
21.	90.3604.00	O-Ring	86,96,97	3	61.	99.3068.00	Bolt, M8 x 25	1	95.	94.7383.00	Spring	94	1	
22.	90.3835.00	O-Ring	86,96,97	3	62.	92.2223.00	Nut, M8	1	96.	90.3580.00	O-Ring	94	1	
23.	97.5968.00	Sight Gauge		1	63.	90.3598.00	O-Ring, 20.35x1.78	1	97.	36.3181.51	Body		1	
24.	20.2128.35	Needle Bearing		1	64.	36.3185.70	Pressure Regulator	1	98.	90.3585.00	O-Ring	94	1	
25.	98.2103.00	Oil Dip Stick		1	65.	36.3169.70	Seat	1	99.	36.2563.70	Valve Seat		1	
26.	92.2216.00	Nut	3	3	66.	94.7436.00	Spring, 15 x 36	1	100.	36.2564.70	Shuttle		1	
27.	96.7008.00	Washer		3	67.	36.3184.70	Bushing	102	101.	36.2565.51	Knob		1	
28.	51.0400.09	Plunger (15 mm)		3	68.	90.3847.00	O-Ring	102	102.	90.3570.00	O-Ring	94	2	
29.	90.3572.00	O-Ring		3	69.	36.3183.70	Stopper	102	103.	36.2608.70	Coupling		1	
30.	90.5022.00	Back Up Ring		3	70.	94.7332.00	Spring	102	1					
31.	96.7070.00	Flinger Washer		3	71.	90.3575.00	O-Ring	102	3					
32.	97.7310.00	Conn. Rod Pin		3	72.	97.4800.00	Ball	102	1					
33.	51.1600.22	Crankcase Cover		1	73.	90.5065.00	Back-up Ring	102	2					
34.	99.1867.00	Screw		4	74.	90.3822.00	O-Ring	102	2					
35.	90.3917.00	Cover O-Ring		1	75.	36.3189.70	Piston	102	1					
36.	51.0301.22	Connecting Rod		3	76.	90.5025.00	Back-up Ring	102	1					

REPAIR KITS

KIT NO.	83	86	94	96	97	102	123
ITEM NO.s INCLUDED IN KIT	5	20, 21, 22	83, 89, 91, 92, 93, 94, 95, 96, 98, 102	18, 19, 20, 21, 22	18, 19, 21, 22	67, 68, 69, 70, 71, 72, 73, 74, 75, 76, 77, 78, 79, 80, 81, 82	10, 11, 12, 13, 14, (17)
NUMBER OF ASSEMBLIES IN KIT	3	3	—	1	3	—	6
NUMBER OF CYLINDERS KIT WILL SERVICE	3	3	—	1	3	—	3

TORQUE SPECS*

Position	Ft.-lbs.
2	29.4
6	14.7
9	8.8
16	60.0
23	13.2
26	11.0
34	7.3
49	14.7
52	7.3

*Decrease torque by 20% if threads are lubricated.

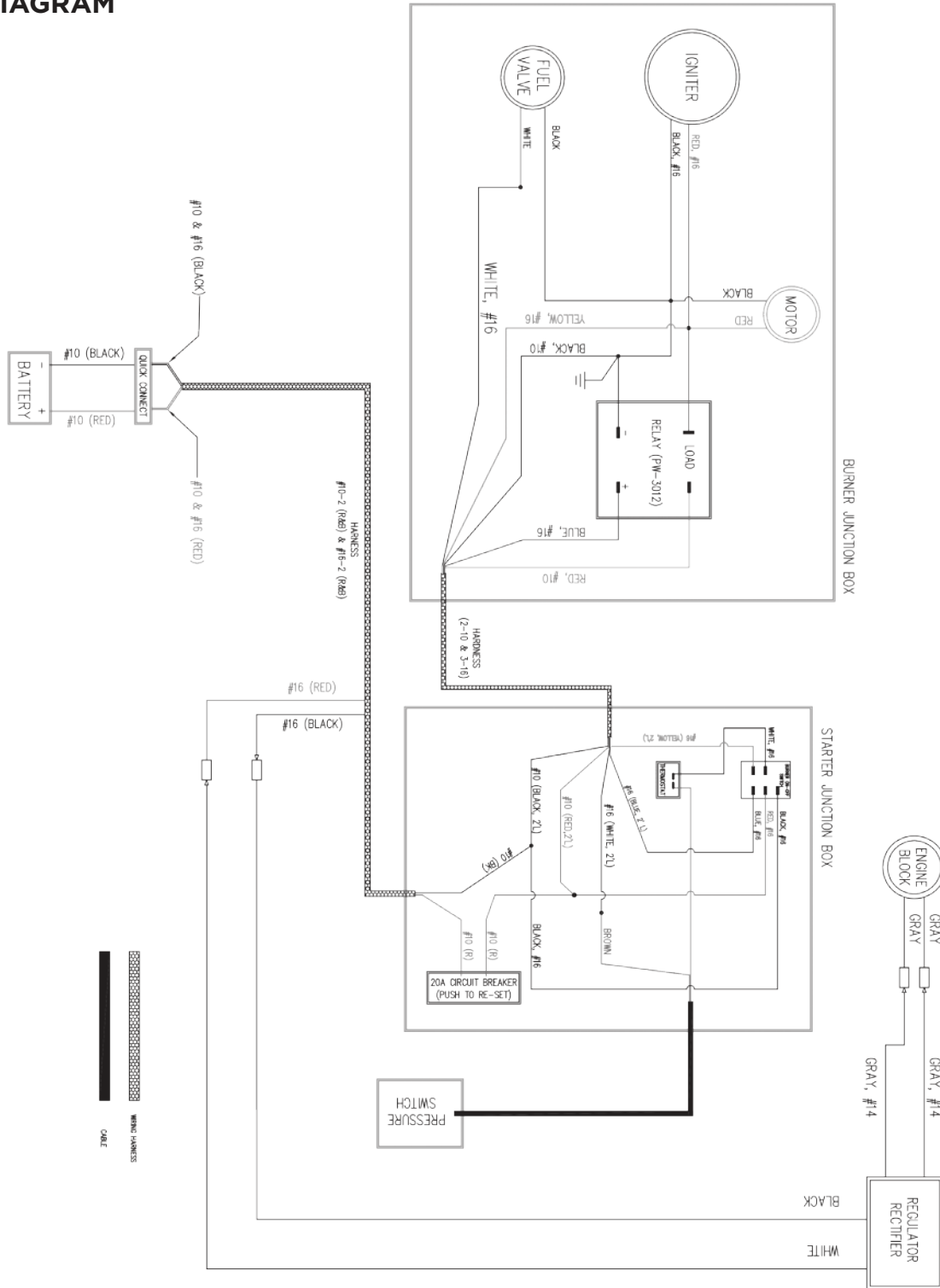




PARTS BREAKDOWN HOT WATER PRESSURE WASHER

MODEL:HW2765HG

WIRING DIAGRAM



BE

POWER EQUIPMENT

If you need technical assistance call:

1-866-850-6662

(8:00am - 4:30pm PST, Mon - Fri)